

0CW10-M72600EN

# P R E F A C E

1. This parts catalog is the 1st edition of L100N5EA1C1EAAR for AGRINET.

Pub.No. : 0CW10-G72600

Published : September, 2011

2. Model name

Engine model	Vehicle	Vehicle made by
L100N5EA1C1EAAR	GENERATOR, STARTING MOTOR	AGRINET

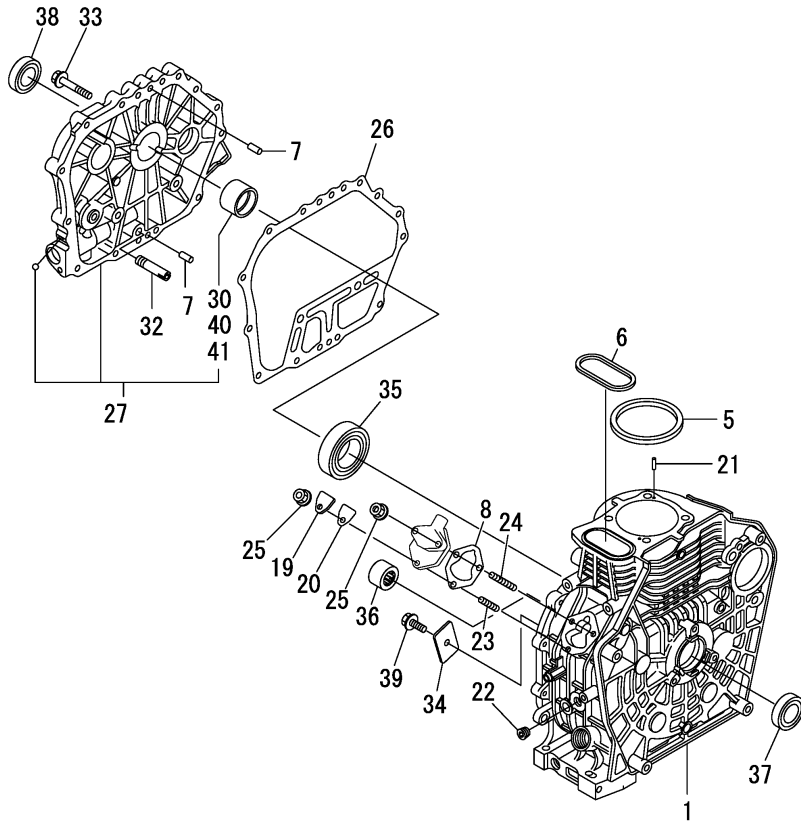
# Contents

0CW10-M72600

Fig. No.	Fig. Name
L100N5EA1C1EAAR	
1.	CYLINDER BLOCK
2.	DRAIN PLUG
3.	LABEL
4.	CYLINDER HEAD & BONNET
5.	AIR CLEANER
6.	EXHAUST MUFFLER
7.	CAMSHAFT
8.	CRANKSHAFT
9.	FLYWHEEL
10.	PISTON & CONNECTING ROD
11.	BALANCER SHAFT
12.	LUB.OIL PUMP & GOVERNOR
13.	OIL PRESSURE SWITCH CAP
14.	COVER
15.	COOLING FAN CASE
16.	F.I.PUMP & F.I.VALVE
17.	FUEL PIPE
18.	SPEED CONTROL DEVICE
19.	RECOIL STARTER
20.	STARTING MOTOR
21.	ELECTRICAL EQUIPMENT
22.	KEY SWITCH
23.	DYNAMO
24.	ACCESSORIES

Fig. No.	Fig. Name
25.	TOOL & GASKET SET

Fig.1. CYLINDER BLOCK



(A)=L100N5EA1C1EAAR  
(B)=  
(C)=

(D)=  
(E)=  
(F)=

No.	Lev.	Parts No.	Description	Q'ty						I	R
				(A)	(B)	(C)	(D)	(E)	(F)		
1	1	114310-01020	BLOCK ASSY, CYLINDER	1							
5	1	114695-01341	GASKET, HEAD 0.5	1							
6	1	114699-01380	O-RING	1							
7	1	114299-01600	PIN, 8X12	2							
8	1	114299-01800	SHIM SET	1							
19	1	114299-01830	COVER	1							
20	1	114250-01841	GASKET	1							
21	1	22312-040080	PIN, PARALLEL M4X 8	2							
22	1	23875-020000	PLUG, R02	1							
23	1	26226-060182	STUD, M6X 18	1							
24	1	26226-060222	STUD, M6X 22	2							
25	1	26366-060002	NUT, M6	3							
26	1	114699-01410	GASKET, CRANK CASE	1							
27	1	114310-01450	COVER(D, CRANK CASE	1							
30	2	114650-02100	BEARING, MAIN	1							1
32	1	114299-35150	PIPE, OIL INLET	1							
33	1	26106-080352	BOLT, M8X 35 PLATED	16							
34	1	114299-02030	RETAINER, BEARING	1							
35	1	114650-02150	BEARING, HR6308G3C3	1							
36	1	24162-152220	BEARING, 152220	1							
37	1	24423-355008	SEAL, OIL TC355008	1							
38	1	24423-355008	SEAL, OIL TC355008	1							
39	1	26106-080122	BOLT, M8X 12 PLATED	1							
40	1	114650-02200	BEARING, 0.25 US	1							2
41	1	114650-02210	BEARING, 0.50 US	1							3

Remarks

- (1) Spare parts.
- (2) Under sized(U.S.=0.25)parts.
- (3) Under sized(U.S.=0.50)parts.



Fig.3. LABEL

(A)=L100N5EA1C1EAAR  
(B)=  
(C)=

(D)=  
(E)=  
(F)=

No.	Lev.	Parts No.	Description	Q'ty						I	R
				(A)	(B)	(C)	(D)	(E)	(F)		
2	1	114299-07110	LABEL, YANMAR	1							
3	1	114299-07160	LABEL, DIESEL	1							
5	1	114220-07150	LABEL, CONSTANT SPEE	1							
6	1	114220-07130	LABEL, HOT SURFACE	1							
7	1	183251-07190	LABEL	1							

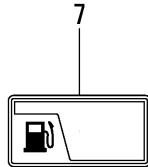
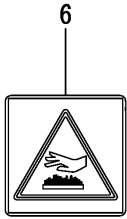
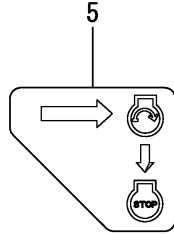
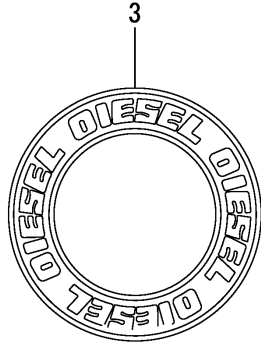
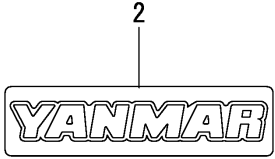
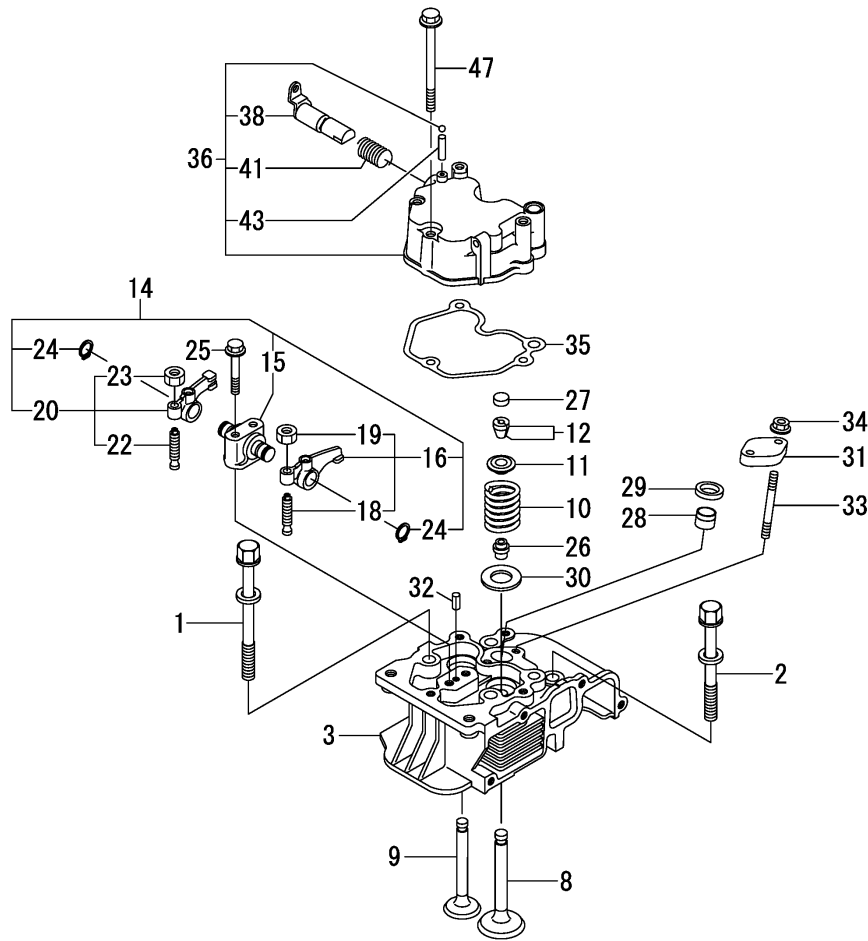


Fig.4. CYLINDER HEAD & BONNET



(A)=L100N5EA1C1EAAR  
(B)=  
(C)=

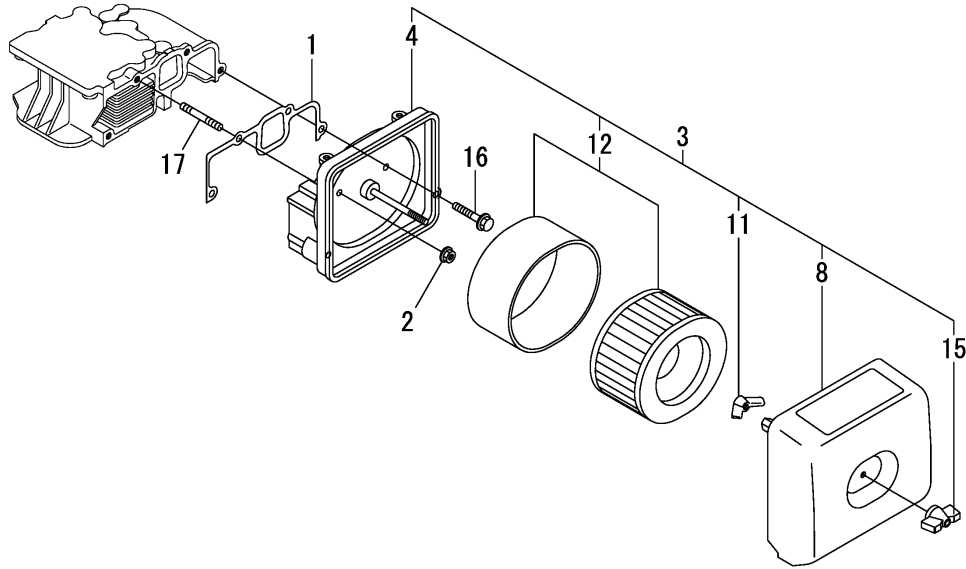
(D)=  
(E)=  
(F)=

No.	Lev.	Parts No.	Description	Q'ty						I	R
				(A)	(B)	(C)	(D)	(E)	(F)		
1	1	114310-01200	BOLT, CYL.HEAD A	2							
2	1	114310-01210	BOLT, CYL.HEAD B	2							
3	1	11432C-11020	HEAD ASSY, CYLINDER	1							
8	1	11431C-11100	VALVE, INTAKE	1							
9	1	11431C-11110	VALVE, EXHAUST	1							
10	1	114310-11120	SPRING, VALVE	2							
11	1	114310-11180	RETAINER, SPRING	2							
12	1	114310-11930	COTTER ASSY	2							
14	1	11431C-11250	SUPPORT ASSY, ARM	1							
15	2	11431C-11260	SUPPORT, ROCKER ARM	1							
16	2	11431C-11650	ARM, ROCKER	1							
18	3	114250-11240	SCREW, VALVE ADJUST	1							
19	3	26856-060002	NUT, M6	1							
20	2	11431C-11660	ARM, ROCKER	1							
22	3	114250-11240	SCREW, VALVE ADJUST	1							
23	3	26856-060002	NUT, M6	1							
24	2	22242-000150	RING, 15	2							
25	1	114310-11290	BOLT, SUPPORT	2							
26	1	114650-11341	SEAL, VALVE STEM	2							
27	1	104211-11370	CAP, VALVE	2							
28	1	114240-11450	PROTECTOR, NOZZLE	1							
29	1	114240-11550	SEAT, NOZZLE	1							
30	1	114699-11600	WASHER	2							
31	1	114210-11901	RETAINER, NOZZLE	1							
32	1	22351-040008	PIN, SPRING 4.0X 8	1							
33	1	26226-060552	STUD, M6X 55	2							
34	1	26366-060002	NUT, M6	2							
35	1	114310-11310	GASKET, BONNET	1							
36	1	114310-11950	BONNET ASSY, HEAD	1							
38	2	114210-03590	DECOMPRESSION ASSY	1							
41	2	114299-03640	SPRING,DECOMPRESSION	1							
43	2	22312-030160	PIN, PARALLEL M3X16	1							
47	1	26106-060652	BOLT, M6X 65 PLATED	3							

Fig.5. AIR CLEANER

(A)=L100N5EA1C1EAAR  
 (B)=  
 (C)=

(D)=  
 (E)=  
 (F)=



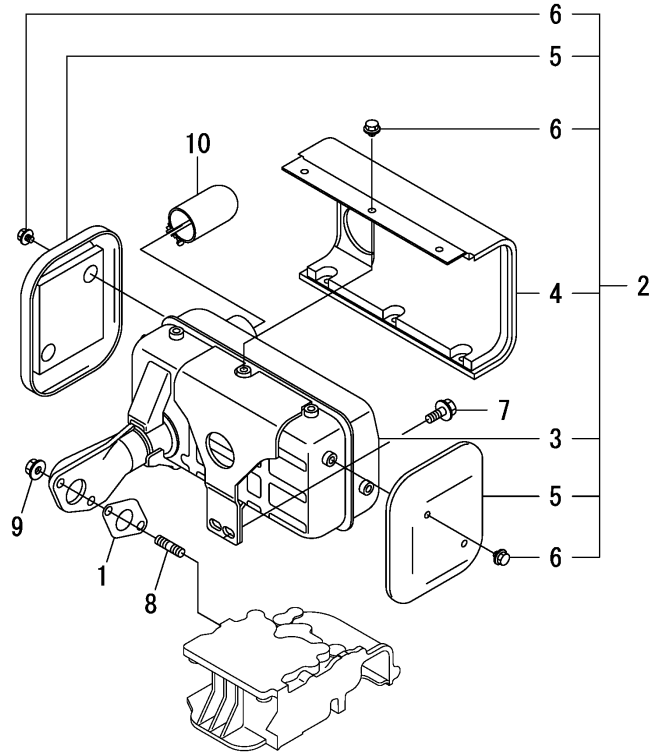
No.	Lev.	Parts No.	Description	Q'ty						I	R
				(A)	(B)	(C)	(D)	(E)	(F)		
1	1	114310-12210	GASKET, AIR CLEANER	1							
2	1	114299-12300	NUT	3							
3	1	114320-12550	CLEANER ASSY, AIR	1							
4	2	114310-12010	BODY ASSY, AIR CLNR	1							
8	2	114220-12500	COVER ASSY, AIR CLNR	1							
11	2	114210-12560	NUT, WING	1							
12	2	114210-12590	ELEMENT ASSY	1							
15	2	114210-12600	LOCKING KNOB	1							
16	1	26106-060402	BOLT, M6X 40 PLATED	1							
17	1	26226-060352	STUD, M6X 35	3							



Fig.6. EXHAUST MUFFLER

(A)=L100N5EA1C1EAAR  
(B)=  
(C)=

(D)=  
(E)=  
(F)=

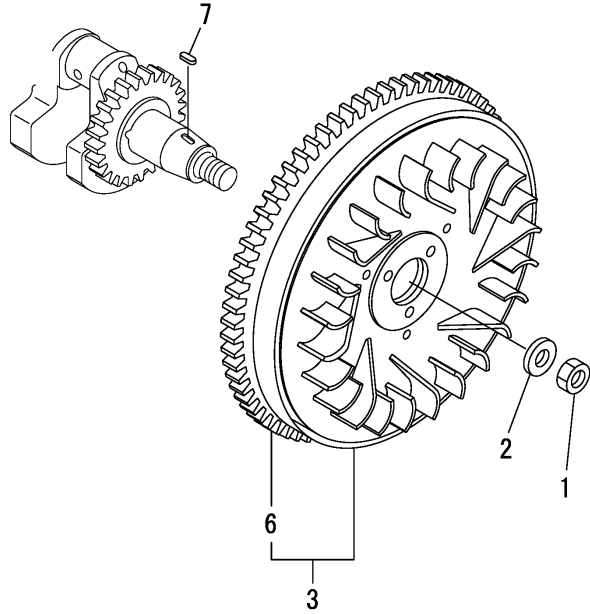


No.	Lev.	Parts No.	Description	Q'ty						I	R
				(A)	(B)	(C)	(D)	(E)	(F)		
1	1	114310-13200	GASKET, MUFFLER	1							
2	1	11431C-13550	MUFFLER ASSY	1							
3	2	11431C-13560	MUFFLER	1							
4	2	11431C-13700	COVER	1							
5	2	11431C-13710	COVER	2							
6	2	11431C-13720	BOLT, M6	10							
7	1	26106-080202	BOLT, M8X 20 PLATED	2							
8	1	26216-080182	STUD, M8X 18	2							
9	1	26366-080002	NUT, M8	2							
10	1	114699-13800	PIPE	1							
10-1	1	114320-13800	DEFLECTOR ASSY, EXH	1							N
(A=ES45146)											





Fig.9. FLYWHEEL



(A)=L100N5EA1C1EAAR  
(B)=  
(C)=

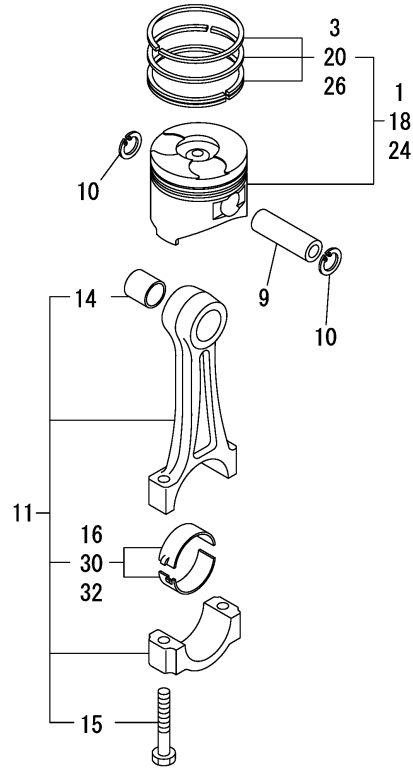
(D)=  
(E)=  
(F)=

No.	Lev.	Parts No.	Description	Q'ty						I	R
				(A)	(B)	(C)	(D)	(E)	(F)		
1	1	114699-21220	NUT	1							
2	1	114699-21550	WASHER	1							
3	1	114699-21600	FLYWHEEL ASSY, DE	1							
6	2	114699-21630	RING, GEAR	1							
7	1	22512-050140	KEY, 5X 14	1							

Fig.10. PISTON & CONNECTING ROD

(A)=L100N5EA1C1EAAR  
(B)=  
(C)=

(D)=  
(E)=  
(F)=



No.	Lev.	Parts No.	Description	Q'ty						I	R
				(A)	(B)	(C)	(D)	(E)	(F)		
1	1	714320-22720	PISTON W/RINGS (D)	1							
3	2	714310-22500	RING SET, PISTON	1							
9	1	114699-22300	PIN, PISTON D=23	1							
10	1	114310-22500	SEEGER RING, J23	2							
11	1	71431C-23010	ROD ASSY, CONNECTING	1							
14	2	124060-23100	BEARING, PISTON PIN	1							
15	2	114310-23200	BOLT, CONNECTING ROD	2							
16	2	714650-23600	BEARING, CRANK PIN	1							
18	1	714320-22620	PISTON W/RING .25OS	1							1
20	2	714310-22540	RING SET O.S=0.25	1							1
24	1	714320-22580	PISTON W/RING .50OS	1							2
26	2	714310-22550	RING SET O.S=0.50	1							2
30	1	714650-23610	BEARING ASSY, 0.25	1							3
32	1	714650-23620	BEARING, 0.50 US	1							4

Remarks

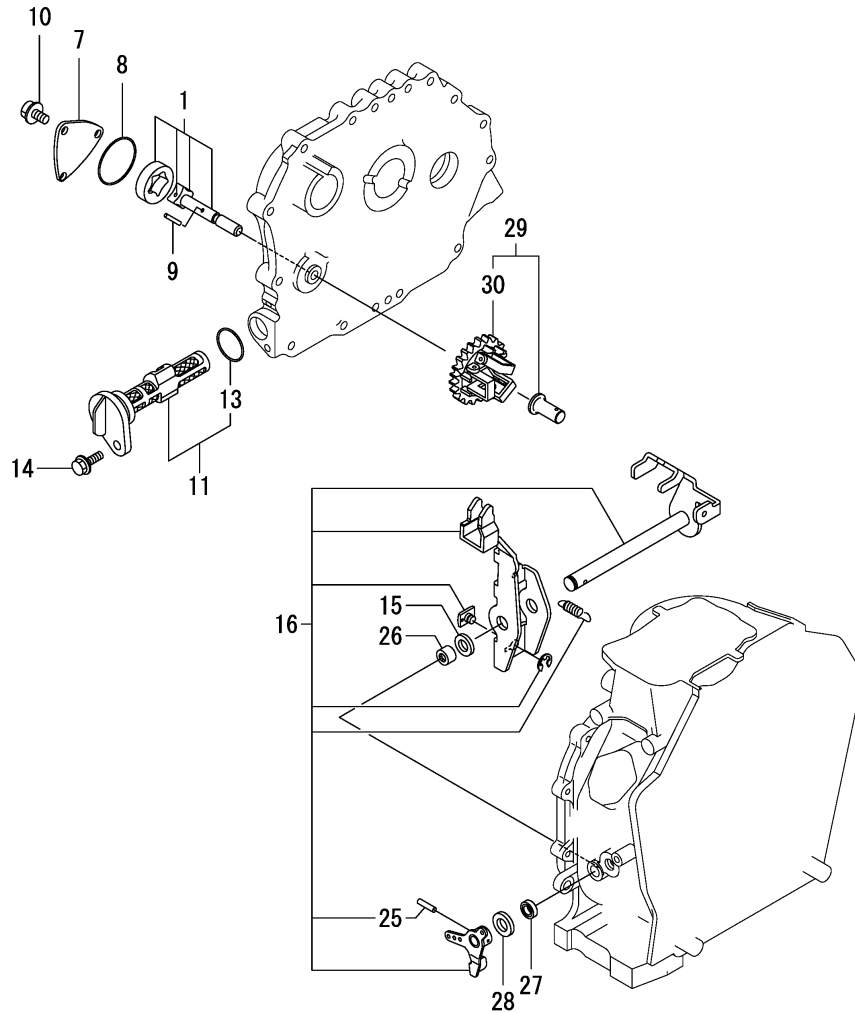
- (1)Over sized(O.S=0.25)parts.
- (2)Over sized(O.S=0.50)parts.
- (3)Under sized(U.S=0.25)parts.
- (4)Under sized(U.S=0.50)parts.



Fig.12. LUB.OIL PUMP & GOVERNOR

(A)=L100N5EA1C1EAAR  
(B)=  
(C)=

(D)=  
(E)=  
(F)=



No.	Lev.	Parts No.	Description	Q'ty						I	R
				(A)	(B)	(C)	(D)	(E)	(F)		
1	1	114650-32010	PUMP ASSY, OIL	1							
7	1	114299-32070	COVER	1							
8	1	114299-32570	O-RING	1							
9	1	22312-030160	PIN, PARALLEL M3X16	1							
10	1	26106-060122	BOLT, M6X 12 PLATED	3							
11	1	114299-35110	FILTER ASSY, OIL	1							
13	2	24341-000224	O-RING, 1AS22.4	1							
14	1	26106-060162	BOLT, M6X 16 PLATED	1							
15	1	114299-61190	WASHER	1							
16	1	114311-61500	LEVER ASSY, GOVERNOR	1							1
25	2	22322-030200	PIN, TAPER 3X20	1							
26	1	114770-61520	BEARING, NEEDLE	2							
27	1	114299-61600	SEAL, OIL	1							
28	1	114770-61610	WASHER, THRUST	1							
29	1	714210-61701	GOVERNOR ASSY	1							
30	2	114210-61290	WEIGHT ASSY,GOVERNOR	1							

Remarks

(1)On a guarantee of quality component parts shall not be sold.

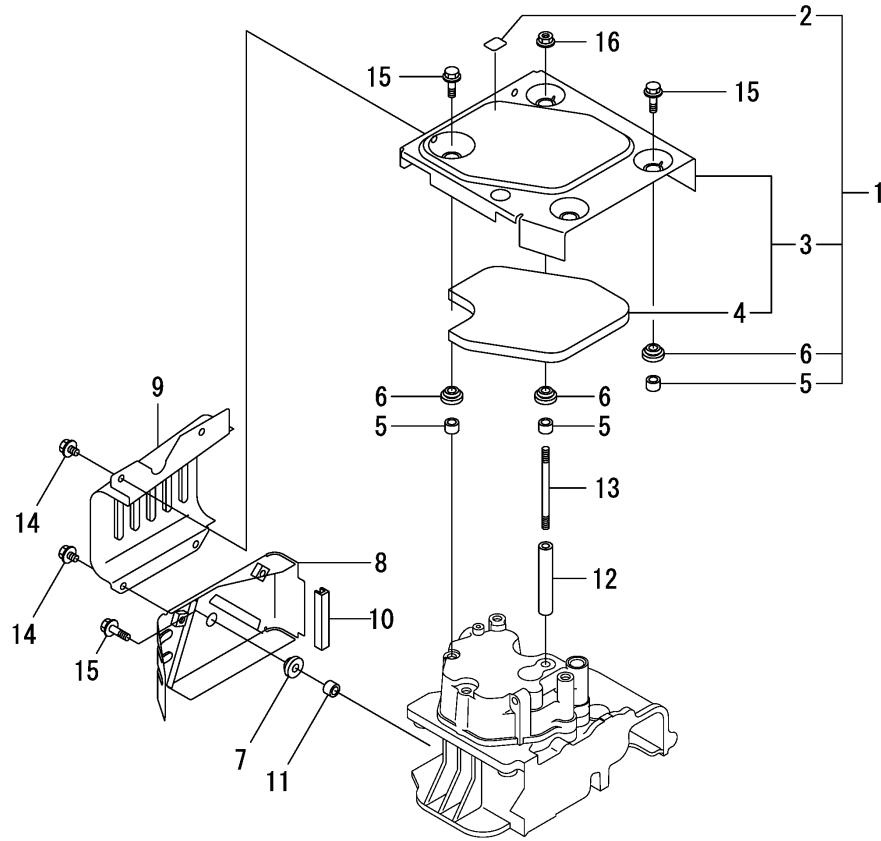




Fig.14. COVER

(A)=L100N5EA1C1EAAR  
(B)=  
(C)=

(D)=  
(E)=  
(F)=

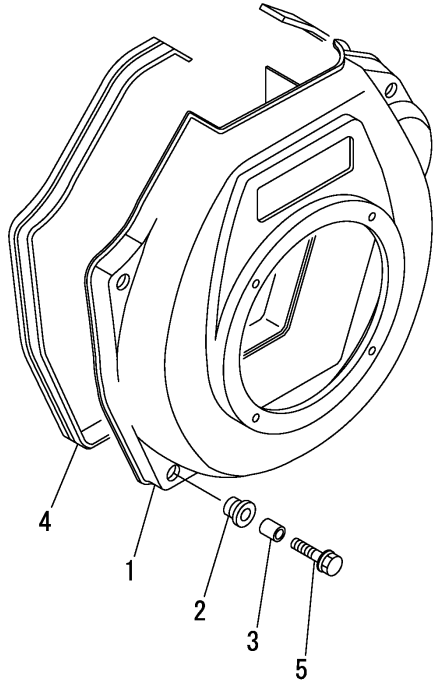


No.	Lev.	Parts No.	Description	Qty						I	R
				(A)	(B)	(C)	(D)	(E)	(F)		
1	1	11432C-45200	TOP COVER ASSY	1							
2	2	114220-07120	LABEL, DECOMPRESSION	1							
3	2	11431C-45300	COVER	1							
4	3	11431C-45310	INSULATOR, NOISE	1							
5	2	114350-45340	COLLAR	4							
6	2	183720-55210	GROMMET	4							
7	1	114299-45220	GROMMET	1							
8	1	11431C-45260	COVER	1							
9	1	11431C-45270	COVER	1							
10	1	114399-45320	RUBBER, SEAL	1							
11	1	114399-45340	COLLAR	1							
12	1	114310-45350	SPACER, TOP COVER	1							
13	1	114310-45360	STUD BOLT, TOP COVER	1							
14	1	26106-060082	BOLT, M6X 8 PLATED	4							
15	1	26106-060202	BOLT, M6X 20 PLATED	4							
16	1	26366-060002	NUT, M6	1							

Fig.15. COOLING FAN CASE

(A)=L100N5EA1C1EAAR  
(B)=  
(C)=

(D)=  
(E)=  
(F)=



No.	Lev.	Parts No.	Description	Q'ty						I	R
				(A)	(B)	(C)	(D)	(E)	(F)		
1	1	11431C-45100	CASE, COOLING FAN	1							
2	1	114299-45301	RUBBER, CUSHION	4							
3	1	114299-45310	COLLAR	4							
4	1	114699-45331	SEAL, FAN CASE	1							
5	1	114299-45350	BOLT, FAN CASE	4							

Fig.16. F.I.PUMP & F.I.VALVE

(A)=L100N5EA1C1EAAR

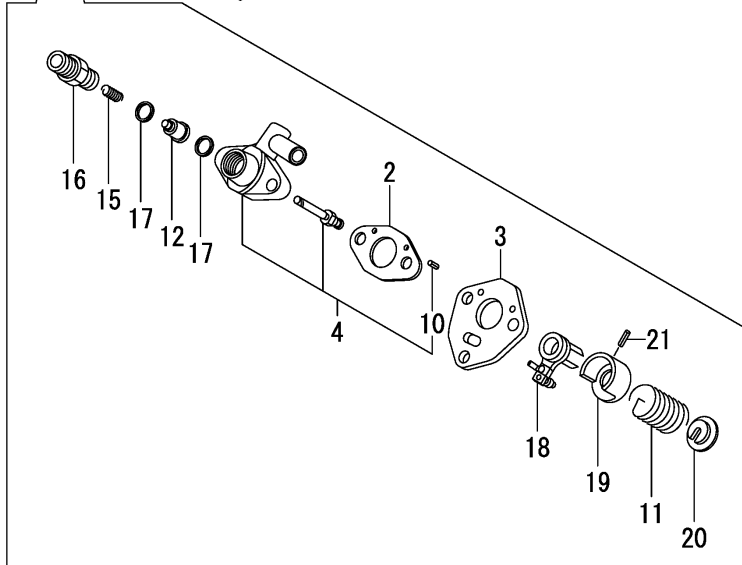
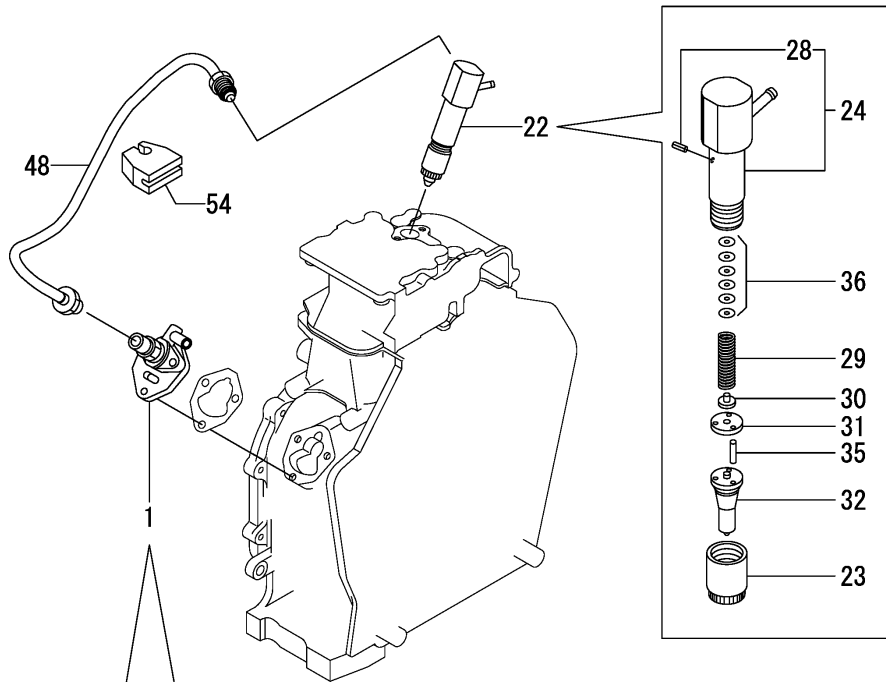
(B)=

(C)=

(D)=

(E)=

(F)=

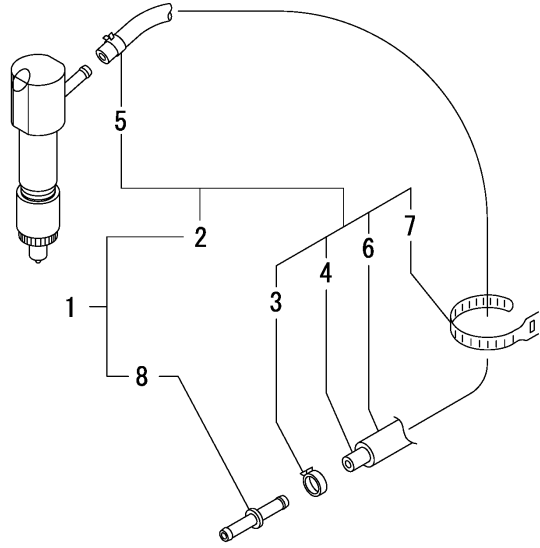


No.	Lev.	Parts No.	Description	Q'ty						I	R
				(A)	(B)	(C)	(D)	(E)	(F)		
1	1	714339-51210	F.I.PUMP ASSY	1							
2	2	105546-51020	GASKET	1							
3	2	114250-51080	PLATE	1							
4	2	114339-51100	BODY ASSY, PUMP	1							
10	4	22351-020006	PIN, SPRING 2.0X 6	2							
11	2	114250-51160	SPRING, PLUNGER	1							
12	2	114650-51300	VALVE ASSY, DELIVERY	1							
15	2	105546-51330	SPRING, DELIVERY	1							
16	2	114250-51340	HOLDER, DELIVERY	1							
17	2	124550-51350	GASKET, DELIVERY	2							
18	2	114250-51600	LEVER ASSY, CONTROL	1							
19	2	114250-51640	SEAT, SPRING A	1							
20	2	114250-51650	SEAT, SPRING B	1							
21	2	22351-030008	PIN, SPRING 3.0X 8	1							
22	1	714339-53200	VALVE ASSY,INJECTION	1							
23	2	114250-53080	NUT, NOZZLE D16.95	1							
24	2	114339-53100	HOLDER ASSY, NOZZLE	1							
28	3	22351-025005	PIN, SPRING 2.5X 6	1							
29	2	114250-53120	SPRING, NOZZLE	1							
30	2	114250-53130	SEAT, SPRING	1							
31	2	114250-53140	PLATE	1							
32	2	114339-53200	VALVE ASSY,INJECTION	1							
35	2	114250-53210	PIN	2							
36	2	114250-53400	SHIM SET	1							
48	1	114310-59800	PIPE ASSY, INJECTION	1							
54	1	114699-59850	SUPPORT, PIPE	1							

Fig.17. FUEL PIPE

(A)=L100N5EA1C1EAAR  
(B)=  
(C)=

(D)=  
(E)=  
(F)=

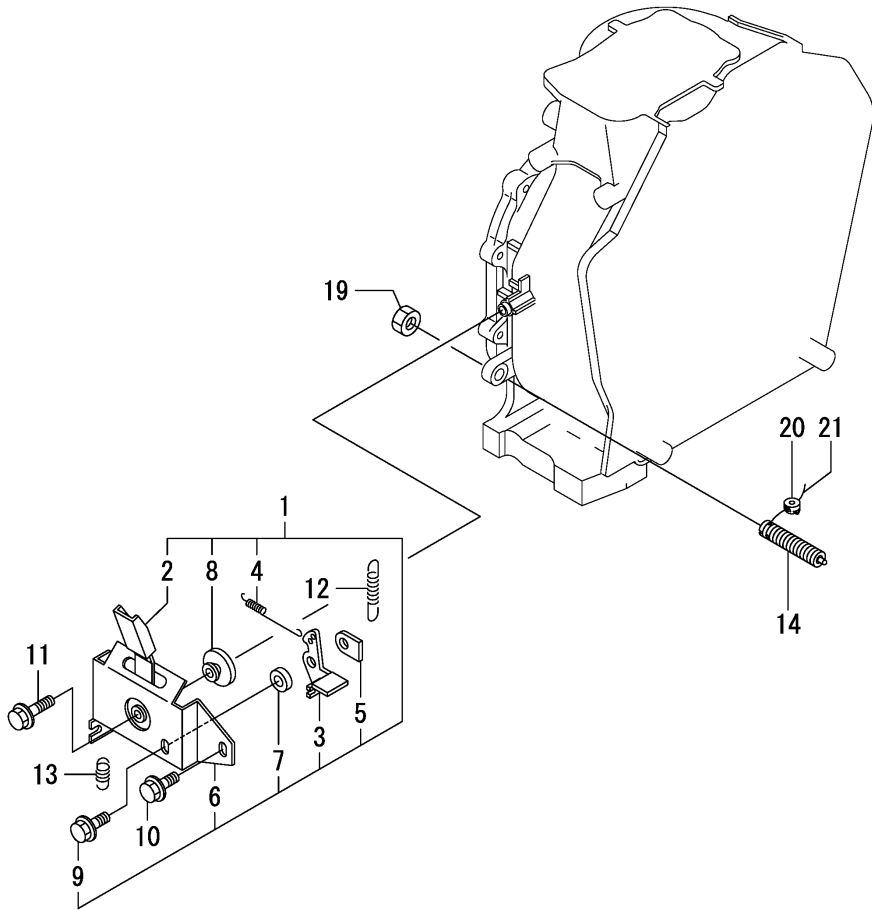


No.	Lev.	Parts No.	Description	Q'ty						I	R
				(A)	(B)	(C)	(D)	(E)	(F)		
1	1	114339-59350	PIPE ASSY, RETURN	1							
2	2	114339-59300	PIPE ASSY, RETURN	1							
3	3	124722-59050	CLIP, HOSE 9	1							
4	3	114310-59060	PIPE, FUEL RETURN	1							
5	3	124066-59100	CLIP, HOSE 8	1							
6	3	114310-59310	HOSE, PROTECT	1							
7	3	121750-59890	BAND, 140	1							
8	2	114210-59710	JOINT,FUEL OIL	1							

Fig.18. SPEED CONTROL DEVICE

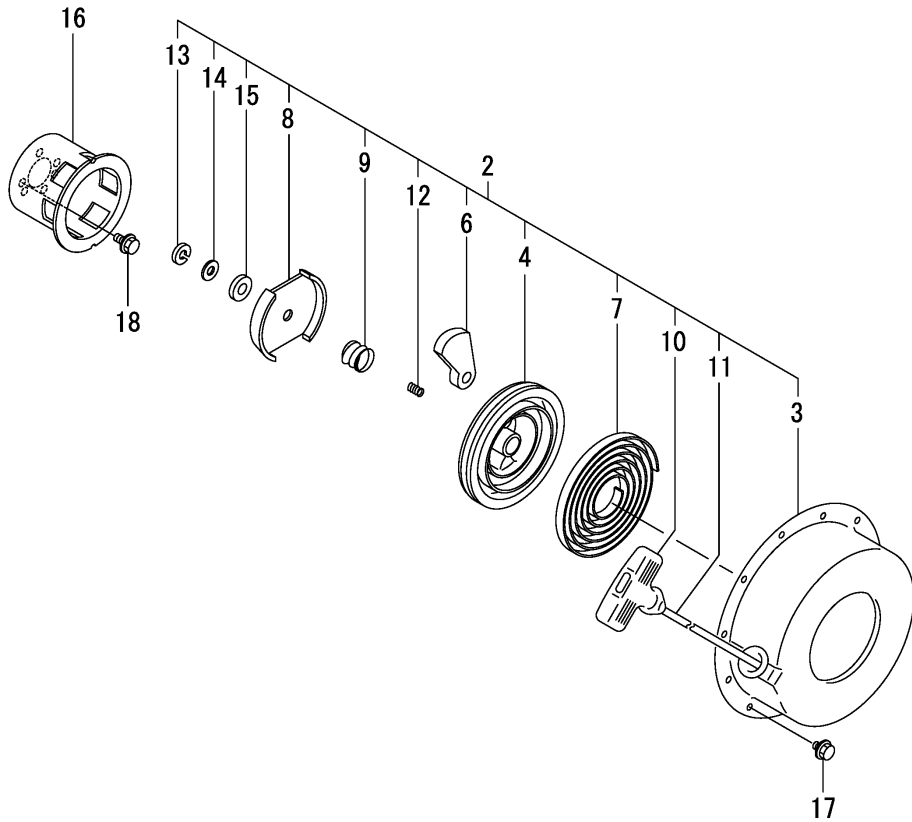
(A)=L100N5EA1C1EAAR  
(B)=  
(C)=

(D)=  
(E)=  
(F)=



No.	Lev.	Parts No.	Description	Q'ty						I	R
				(A)	(B)	(C)	(D)	(E)	(F)		
1	1	114210-66511	BRACKET CMP,REGULATO	1							
2	2	114210-66300	HANDLE	1							
3	2	183250-66321	LEVER, LOCK	1							
4	2	114210-66330	SPRING,LOCK LEVER	1							
5	2	183250-66341	NUT, LOCK	1							
6	2	114210-66350	BRACKET	1							
7	2	183250-66361	COLLAR	1							
8	2	183250-66371	COLLAR	1							
9	2	26106-060162	BOLT, M6X 16 PLATED	1							
10	1	26106-060142	BOLT, M6X 14 PLATED	1							
11	1	26106-060202	BOLT, M6X 20 PLATED	1							
12	1	114320-66020	SPRING, REGULATOR	1							
13	1	114299-66200	SPRING, RETURN	1							
14	1	114211-66600	LIMITER ASSY, FUEL	1							
19	1	26776-100002	NUT, LOCK M10	1							
20	1	114780-61090	TIN	1							
21	1	22451-060000	WIRE, 0.6	1							

Fig.19. RECOIL STARTER



(A)=L100N5EA1C1EAAR  
(B)=  
(C)=

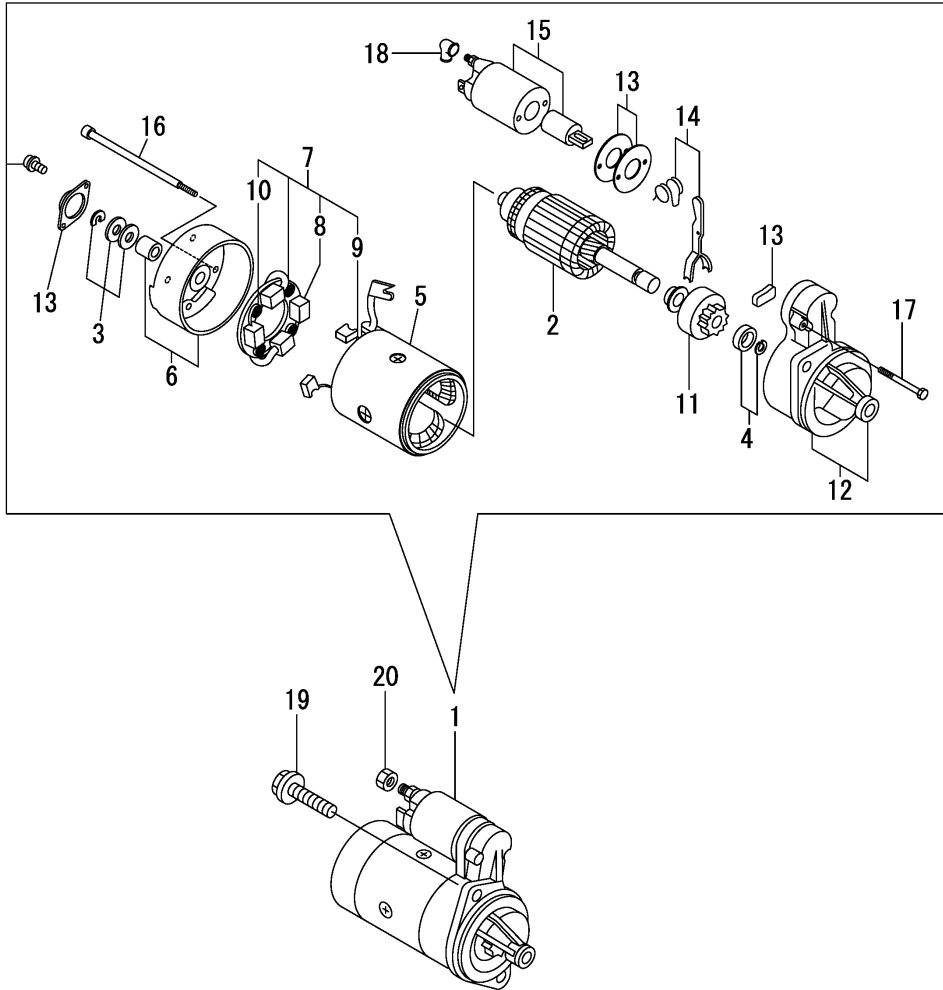
(D)=  
(E)=  
(F)=

No.	Lev.	Parts No.	Description	Q'ty						I	R
				(A)	(B)	(C)	(D)	(E)	(F)		
2	2	114699-76251	RECOIL ASSY	1							
3	3	114699-76510	CASE, STARTER	1							
4	3	114699-76521	REEL, RECOIL	1							
6	3	114699-76531	RATCHET	2							
7	3	114399-76540	SPRING, SPIRAL	1							
8	3	114699-76551	GUIDE, RATCHET	1							
9	3	114699-76560	SPRING, FRICTION	1							
10	3	114399-76620	KNOB, STARTER	1							
11	3	114699-76630	ROPE, STARTER	1							
12	3	114699-76650	SPRING, RETURN	1							
13	3	114699-76660	CIRCLIP	1							
14	3	114699-76670	WASHER	1							
15	3	114699-76680	WASHER	1							
16	2	114699-76592	PULLEY, STARTER	1							
17	1	26106-060082	BOLT, M6X 8 PLATED	4							
18	1	26106-060122	BOLT, M6X 12 PLATED	3							

Fig.20. STARTING MOTOR

(A)=L100N5EA1C1EAAR  
(B)=  
(C)=

(D)=  
(E)=  
(F)=



No.	Lev.	Parts No.	Description	Q'ty						I	R
				(A)	(B)	(C)	(D)	(E)	(F)		
1	1	114362-77011	STARTER	1							
2	2	114381-77110	ARMATURE	1							
3	2	X2114811000	WASHER KIT, THRUST	1							
4	2	X2114715500	STOPPER SET, PINION	1							
5	2	114381-77130	COIL ASSY, FIELD	1							
6	2	114381-77140	COVER, REAR	1							
7	2	114371-77160	HOLDER ASSY, BRUSH	1							
8	3	114371-79040	BRUSH (-)	2							
9	3	114371-79050	BRUSH (+)	1							
10	3	114371-79060	SPRING, BRUSH	4							
11	2	X211485016	PINION ASSY	1							
12	2	114381-77151	HOUSING ASSY, GEAR	1							
13	2	114371-77170	COVER KIT, DUST	1							
14	2	114371-77180	LEVER KIT, SHIFT	1							
15	2	124298-77020	SWITCH, MAGNETIC	1							
16	2	124195-77770	THROUGH BOLT	2							
17	2	114371-79070	BOLT M 6X 37	2							
18	2	X2114274200	COVER, TERMINAL	1							
19	1	26106-100302	BOLT, M10X 30 PLATED	2							
20	1	26716-080002	NUT, M8	1							

Fig.21. ELECTRICAL EQUIPMENT

(A)=L100N5EA1C1EAAR  
(B)=  
(C)=

(D)=  
(E)=  
(F)=

No.	Lev.	Parts No.	Description	Q'ty						I	R
				(A)	(B)	(C)	(D)	(E)	(F)		
1	1	114399-77550	REG. & HARNESS ASSY	1							
3	3	114399-77400	BRACKET, HARNESS	1							
4	3	114399-77540	HARNESS, WIRE	1							
5	4	114399-78000	FUSE(20A	1							
6	2	114399-77710	REGULATOR	1							
7	2	26023-040102	SCREW, M4X10	2							
8	1	26106-060122	BOLT, M6X 12 PLATED	2							
9	1	26106-060202	BOLT, M6X 20 PLATED	2							

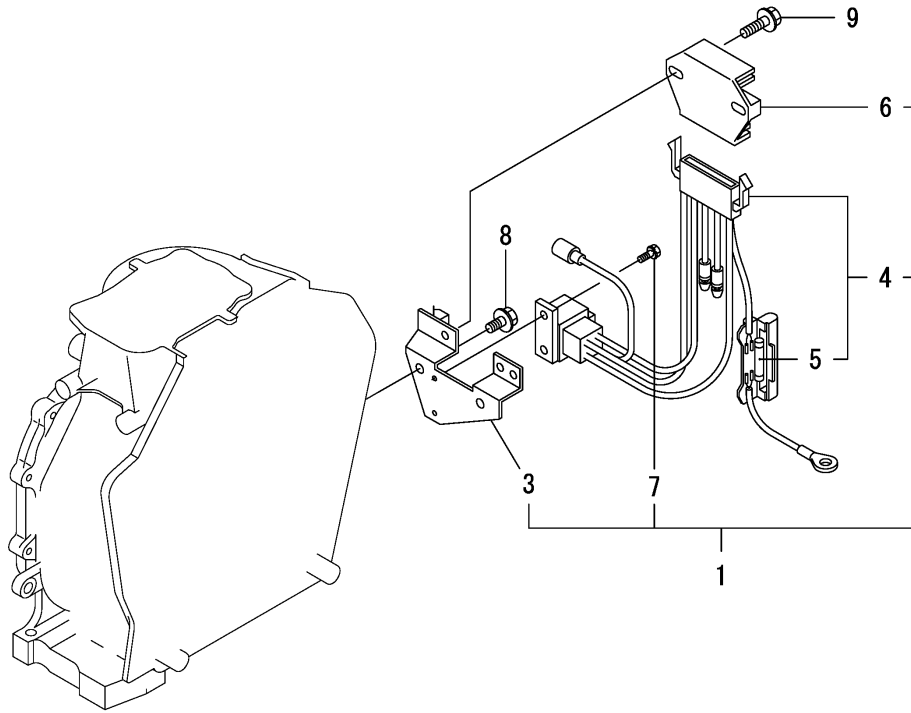
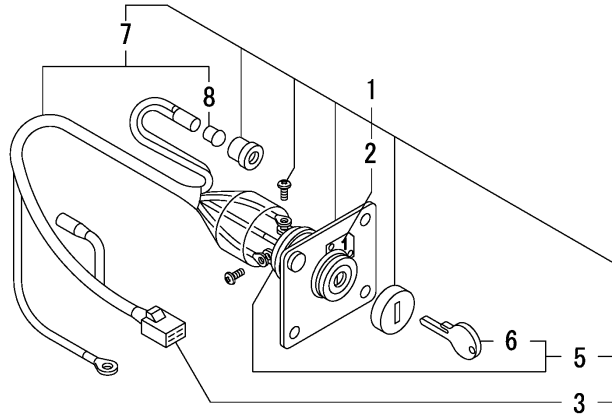




Fig.22. KEY SWITCH



(A)=L100N5EA1C1EAAR  
(B)=  
(C)=

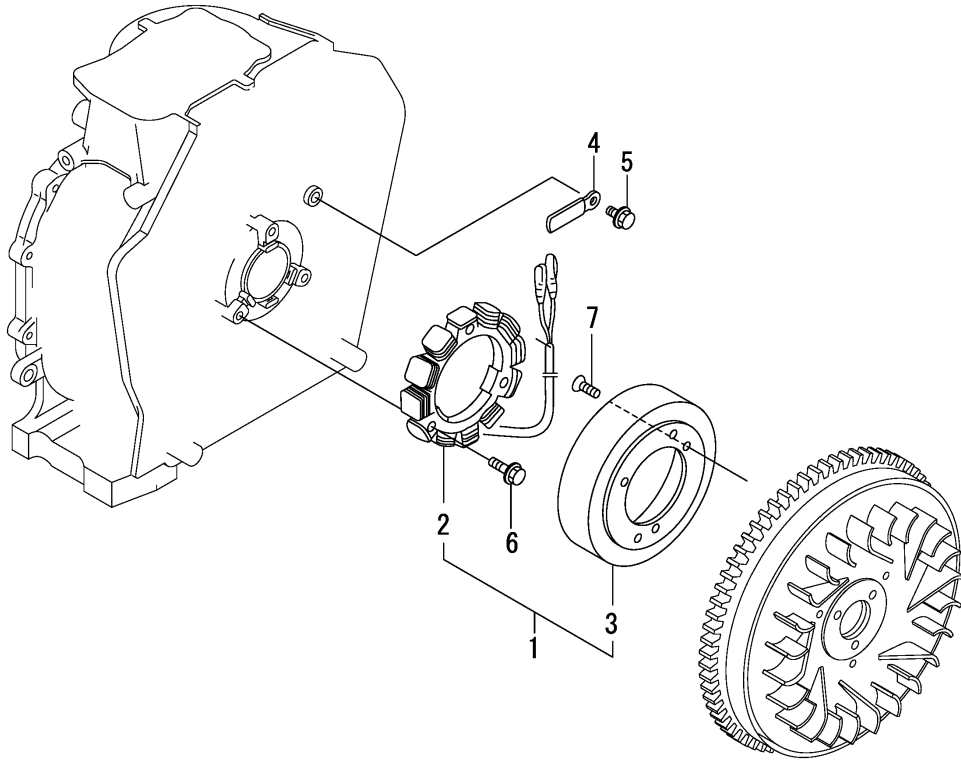
(D)=  
(E)=  
(F)=

No.	Lev.	Parts No.	Description	Q'ty						I	R
				(A)	(B)	(C)	(D)	(E)	(F)		
1	1	114220-77500	PANEL ASSY,KEYSWITCH	1							
2	2	114220-07170	LABEL, START SWITCH	1							
3	2	114351-77520	COUPLER	1							
5	2	106100-77620	SWITCH, KEY	1							
6	3	106100-77630	KEY, SWITCH	1							
7	2	114351-77700	HARNES, WIRE	1							
8	3	29220-083200	BULB (12V/3.4W)	1							

Fig.23. DYNAMO

(A)=L100N5EA1C1EAAR  
(B)=  
(C)=

(D)=  
(E)=  
(F)=

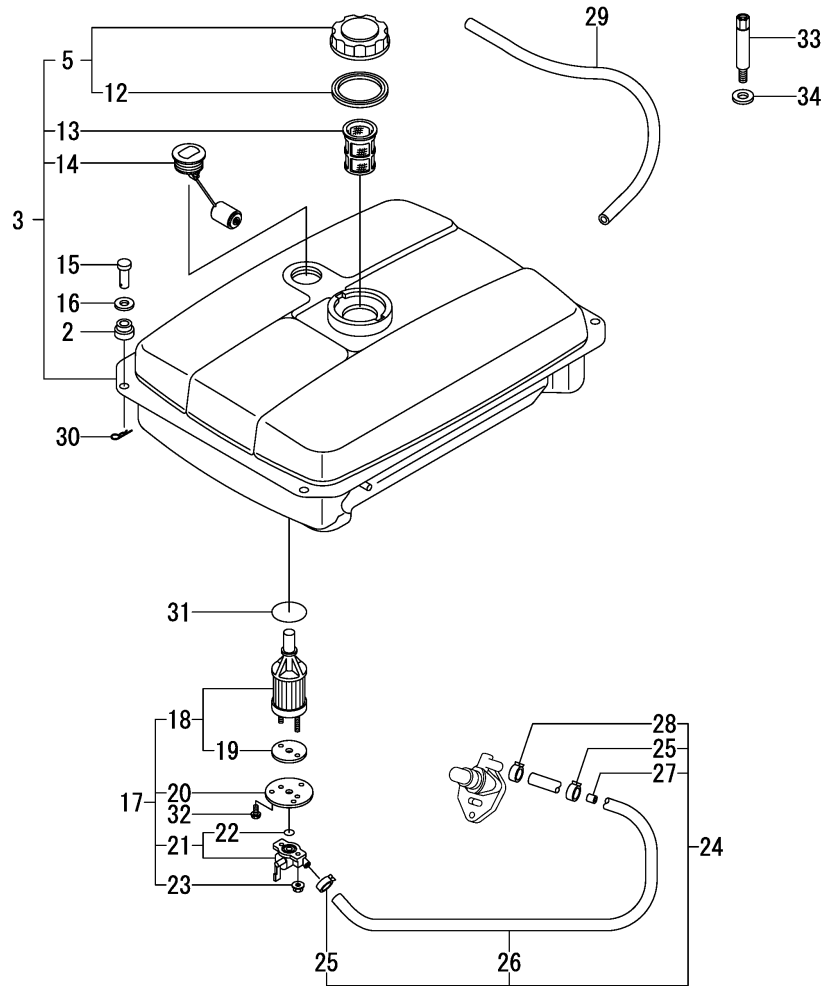


No.	Lev.	Parts No.	Description	Q'ty						I	R
				(A)	(B)	(C)	(D)	(E)	(F)		
1	1	114399-78260	DYNAMO ASSY	1							
2	2	114399-78730	STATOR ASSY	1							
3	2	114399-78740	WHEEL, DYNAMO	1							
4	1	160710-78710	CLAMP, CORD	1							
5	1	26106-060122	BOLT, M6X 12 PLATED	1							
6	1	26106-060202	BOLT, M6X 20 PLATED	3							
7	1	26577-060142	SCREW M 6X 14	3							

Fig.24. ACCESSORIES

(A)=L100N5EA1C1EAAR  
(B)=  
(C)=

(D)=  
(E)=  
(F)=



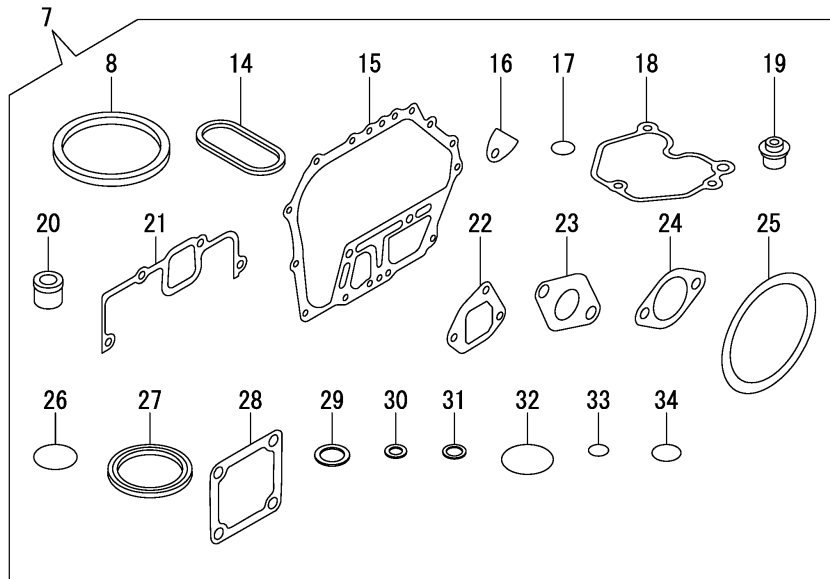
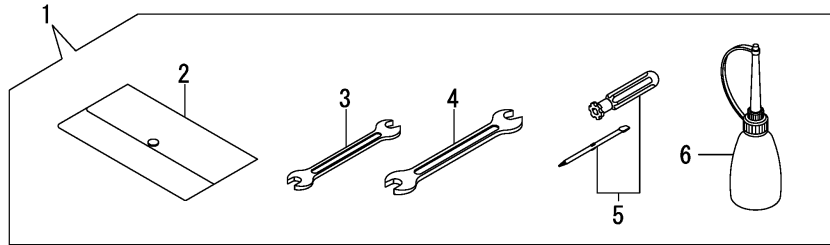
No.	Lev.	Parts No.	Description	Q'ty						I	R
				(A)	(B)	(C)	(D)	(E)	(F)		
2	1	114299-45220	GROMMET	4							
3	1	783384-55700-R	TANK ASSY, FUEL	1							
5	2	160710-55061	CAP ASSY	1							
12	3	160393-55050	GASKET	1							
13	2	160710-55100	FILTER, FUEL	1							
14	2	183621-55150	GAUGE	1							
15	1	183350-55120	PIN, 6X14	4							
16	1	183350-55130	WASHER	4							
17	1	183250-55301	COCK ASSY, FUEL	1							
18	2	114250-55121	FILTER ASSY, FUEL	1							
19	3	114250-55130	GASKET	1							
20	2	183250-55170	PLATE	1							
21	2	183250-55320	COCK ASSY, FUEL	1							
22	3	24341-000150	O-RING, 1AS15.0	1							
23	2	26366-060002	NUT, M6	2							
24	1	114353-59012	PIPE ASSY, FUEL OIL	1							
25	2	124000-03300	CLIP, HOSE 13	2							
26	2	114353-59372	PIPE, FUEL OIL	1							
27	2	114249-59410	PIECE	1							
28	2	23080-014000	CLAMP, 14	1							
29	1	183984-59060	PIPE, FUEL RETURN	1							
30	1	22360-060000	PIN, SNAP 6	4							
31	1	24311-000400	O-RING, 1AP40.0	1							
32	1	26022-050102	SCREW, M5X10	3							
33	1	114220-55810	BOLT, LIFTING	1							1
34	1	22117-080000	WASHER, 8	1							1

Remarks  
(1)Lifting parts.

Fig.25. TOOL & GASKET SET

(A)=L100N5EA1C1EAAR  
(B)=  
(C)=

(D)=  
(E)=  
(F)=



No.	Lev.	Parts No.	Description	Q'ty						I	R
				(A)	(B)	(C)	(D)	(E)	(F)		
1	1	114299-92590	BOX, TOOL	1							
2	2	114299-92600	BAG, TOOL	1							
3	2	114299-92710	WRENCH	1							
4	2	114299-92720	WRENCH	1							
5	2	114299-92730	DRIVER	1							
6	2	114299-92740	DIPSTICK	1							
7	1	114320-92600	GASKET SET	1							1
8	2	114695-01331	GASKET, HEAD	1							
14	2	114699-01380	O-RING	1							
15	2	114699-01410	GASKET, CRANK CASE	1							
16	2	114250-01841	GASKET	1							
17	2	114299-01950	O-RING, 18	2							
18	2	114310-11310	GASKET, BONNET	1							
19	2	114650-11341	SEAL, VALVE STEM	2							
20	2	114771-11461	GASKET, NOZZLE	1							
21	2	114310-12210	GASKET, AIR CLEANER	1							
22	2	114699-12210	GASKET, AIR CLEANER	2							
23	2	114310-13200	GASKET, MUFFLER	1							
24	2	183671-13211	GASKET, PIPE	1							
25	2	114399-21980	GASKET	1							
26	2	114299-32570	O-RING	1							
27	2	160393-55050	GASKET	4							
28	2	129100-77510	GASKET, AIR HEATER	3							
29	2	22190-160002	WASHER, SEAL 16	2							
30	2	23414-080000	GASKET, 8X1.0	1							
31	2	23414-120000	GASKET, 12X1.0	1							
32	2	24311-000400	O-RING, 1AP40.0	1							
33	2	24341-000150	O-RING, 1AS15.0	2							
34	2	24341-000224	O-RING, 1AS22.4	1							

Remarks

(1)Optional parts.

N:Old  $\xrightarrow{\text{Yes}}$  New, Q:Old  $\xrightarrow{\text{No}}$  New, R:Old  $\xrightarrow{\text{Yes}}$  New, S:Old  $\xrightarrow{\text{No}}$  New, W:Add, Z:Discontinued, F:Interchangeable by set, K:Q'ty Change

## Parts No. Index

Parts No.	Fig. No.	Ref. No.
104211-11370	4	27
105546-51020	16	2
105546-51330	16	15
106100-77620	22	5
106100-77630	22	6
114210-03590	4	38
114210-11901	4	31
114210-12560	5	11
114210-12590	5	12
114210-12600	5	15
114210-14300	7	7
114210-59710	17	8
114210-61290	12	30
114210-66300	18	2
114210-66330	18	4
114210-66350	18	6
114210-66511	18	1
114211-66600	18	14
114220-07120	14	2
114220-07130	3	6
114220-07150	3	5
114220-07170	22	2
114220-12500	5	8
114220-55810	24	33
114220-77500	22	1
114240-11450	4	28
114240-11550	4	29
114249-59410	24	27
114250-01841	1	20
	25	16
114250-11240	4	18
		22
114250-51080	16	3
114250-51160	16	11
114250-51340	16	16
114250-51600	16	18
114250-51640	16	19
114250-51650	16	20
114250-53080	16	23
114250-53120	16	29
114250-53130	16	30
114250-53140	16	31
114250-53210	16	35
114250-53400	16	36
114250-55121	24	18
114250-55130	24	19
114299-01600	1	7
114299-01690	2	1
114299-01800	1	8
114299-01830	1	19

Parts No.	Fig. No.	Ref. No.
114299-01950	2	4
	25	17
114299-02030	1	34
114299-03640	4	41
114299-07110	3	2
114299-07160	3	3
114299-12300	5	2
114299-32070	12	7
114299-32570	12	8
	25	26
114299-35110	12	11
114299-35150	1	32
114299-45220	14	7
	24	2
114299-45301	15	2
114299-45310	15	3
114299-45350	15	5
114299-61190	12	15
114299-61600	12	27
114299-66200	18	13
114299-92590	25	1
114299-92600	25	2
114299-92710	25	3
114299-92720	25	4
114299-92730	25	5
114299-92740	25	6
114310-01020	1	1
114310-01200	4	1
114310-01210	4	2
114310-01450	1	27
114310-11120	4	10
114310-11180	4	11
114310-11290	4	25
114310-11310	4	35
	25	18
114310-11930	4	12
114310-11950	4	36
114310-12010	5	4
114310-12210	5	1
	25	21
114310-13200	6	1
	25	23
114310-14200	7	6
114310-14400	7	12
114310-22500	10	10
114310-23200	10	15
114310-45350	14	12
114310-45360	14	13
114310-59060	17	4
114310-59310	17	6

Parts No.	Fig. No.	Ref. No.
114310-59800	16	48
114311-61500	12	16
11431C-11100	4	8
11431C-11110	4	9
11431C-11250	4	14
11431C-11260	4	15
11431C-11650	4	16
11431C-11660	4	20
11431C-13550	6	2
11431C-13560	6	3
11431C-13700	6	4
11431C-13710	6	5
11431C-13720	6	6
11431C-21840	8	1
11431C-45100	15	1
11431C-45260	14	8
11431C-45270	14	9
11431C-45300	14	3
11431C-45310	14	4
114320-12550	5	3
114320-13800	6	10 -1
114320-66020	18	12
114320-92600	25	7
11432C-11020	4	3
11432C-45200	14	1
114339-51100	16	4
114339-53100	16	24
114339-53200	16	32
114339-59300	17	2
114339-59350	17	1
114350-45340	14	5
114351-77520	22	3
114351-77700	22	7
114353-59012	24	24
114353-59372	24	26
114362-77011	20	1
114371-77160	20	7
114371-77170	20	13
114371-77180	20	14
114371-79040	20	8
114371-79050	20	9
114371-79060	20	10
114371-79070	20	17
114381-77110	20	2
114381-77130	20	5
114381-77140	20	6
114381-77151	20	12
114399-21980	25	25
114399-45320	14	10
114399-45340	14	11

Parts No.	Fig. No.	Ref. No.
114399-76540	19	7
114399-76620	19	10
114399-77400	21	3
114399-77540	21	4
114399-77550	21	1
114399-77710	21	6
114399-78000	21	5
114399-78260	23	1
114399-78730	23	2
114399-78740	23	3
114650-02100	1	30
114650-02150	1	35
114650-02200	1	40
114650-02210	1	41
114650-11341	4	26
	25	19
114650-32010	12	1
114650-51300	16	12
114695-01331	25	8
114695-01341	1	5
114699-01380	1	6
	25	14
114699-01410	1	26
	25	15
114699-01760	2	2
114699-11600	4	30
114699-12210	25	22
114699-13800	6	10
114699-21220	9	1
114699-21550	9	2
114699-21600	9	3
114699-21630	9	6
114699-22300	10	9
114699-45331	15	4
114699-59850	16	54
114699-76251	19	2
114699-76510	19	3
114699-76521	19	4
114699-76531	19	6
114699-76551	19	8
114699-76560	19	9
114699-76592	19	16
114699-76630	19	11
114699-76650	19	12
114699-76660	19	13
114699-76670	19	14
114699-76680	19	15
114770-61520	12	26
114770-61610	12	28
114771-11461	25	20

## Parts No. Index

Parts No.	Fig. No.	Ref. No.
114780-61090	18	20
121750-59890	17	7
124000-03300	24	25
124060-23100	10	14
124066-59100	17	5
124195-77770	20	16
124298-77020	20	15
124550-51350	16	17
124722-59050	17	3
129100-77510	25	28
160393-55050	24	12
	25	27
160710-55061	24	5
160710-55100	24	13
160710-78710	23	4
183250-55170	24	20
183250-55301	24	17
183250-55320	24	21
183250-66321	18	3
183250-66341	18	5
183250-66361	18	7
183250-66371	18	8
183251-07190	3	7
183350-55120	24	15
183350-55130	24	16
183621-55150	24	14
183671-13211	25	24
183720-55210	14	6
183984-59060	24	29
22117-080000	24	34
22190-160002	2	5
	25	29
22242-000150	4	24
22312-030160	4	43
	12	9
22312-040080	1	21
22322-030200	12	25
22351-020006	16	10
22351-025005	16	28
22351-030008	16	21
22351-040008	4	32
22360-060000	24	30
22451-060000	18	21
22512-050140	9	7
23080-014000	24	28
23414-080000	25	30
23414-120000	25	31
23875-020000	1	22
23876-010000	13	1
24101-063040	11	6

Parts No.	Fig. No.	Ref. No.
24162-152220	1	36
24311-000400	24	31
	25	32
24341-000150	24	22
	25	33
24341-000224	12	13
	25	34
24423-355008	1	37
		38
26022-050102	24	32
26023-040102	21	7
26106-060082	14	14
	19	17
26106-060122	12	10
	19	18
	21	8
	23	5
26106-060142	18	10
26106-060162	12	14
	18	9
26106-060202	14	15
	18	11
	21	9
	23	6
26106-060402	5	16
26106-060652	4	47
26106-080122	1	39
26106-080202	6	7
26106-080352	1	33
26106-100302	20	19
26216-080182	6	8
26226-060182	1	23
26226-060222	1	24
26226-060352	5	17
26226-060552	4	33
26366-060002	1	25
	4	34
	14	16
	24	23
26366-080002	6	9
26577-060142	23	7
26716-080002	20	20
26776-100002	18	19
26856-060002	4	19
		23
29220-083200	22	8
714210-61701	12	29
714310-22500	10	3
714310-22540	10	20
714310-22550	10	26

Parts No.	Fig. No.	Ref. No.
714310-28510	11	1
71431C-23010	10	11
714320-22580	10	24
714320-22620	10	18
714320-22720	10	1
71432C-14010	7	1
714339-51210	16	1
714339-53200	16	22
714650-23600	10	16
714650-23610	10	30
714650-23620	10	32
783384-55700-R	24	3
X2114274200	20	18
X2114715500	20	4
X2114811000	20	3
X211485016	20	11

Parts No.	Fig. No.	Ref. No.
-----------	----------	----------