

OCR10-M82600EN

P R E F A C E

1. This parts catalog is the 1st edition of L70N5EF1C1EAAR for AGRINET.

Pub.No. : OCR10-G82600

Published : March, 2011

2. Model name

Engine model	Vehicle	Vehicle made by
L70N5EF1C1EAAR	GENERATOR	AGRINET

Directions for the Parts Catalog.

1. The parts stipulated in this Parts Catalog are not necessarily standard equipped parts.
2. Parts may change without prior notice.
3. The following is an example of the Parts Catalog format.

REF.	LEV.	PARTS NO.	DESCRIPTION	Q'TY						I	R
				(A)	(B)	(C)	(D)	(E)	(F)		
1	1	729595-51390	FUEL INJECTION PUMP	1	1	1	1	1			1
1-1	1	729595-51391	FUEL INJECTION PUMP	1	1	1	1	1		N	1
		(A=E00185) (B=E00200)									
3	2	26022-060162	SCREW M 6X 16	9	9	9	9	9			
3-1	2	26022-060162	SCREW M 6X 16	4	4	4	4	4		K	
		(A=E00156) (B=E00156) (C=E00156) (D=E00156) (E=E00156)									
4	2	129470-51040	CAMSHAFT	1	1	1	1	1			
5	2	122710-51050	BEARING, ROLLER	2	2	2	2	2			
6	2	129470-51060	RETAINER	1	1	1	1	1			

Remarks
(1) BOOST COMPEMSATOR TYPE. OPTIONAL PART, TO E00155,(4JH-DT, 4JH-DTZ

① Ref. No.

The Ref. No. listed may not be in accordance with the illustration Ref. No.

(Ex.) Illustration No.

List Ref No.

1

1

(Before change)

1-1

(After change)

For interchangeable symbols N, R and K, illustrations for new parts may be abbreviated.

② Lev. (Level)

Level indication

The numbers below indicate the level of relativity towards the main part.

1 ----- Main parts (Assembly parts)

2 ----- Sub component included in " 1 ".

3 ----- Sub component included in " 2 ".

Note) Parts that are not for sale are partially illustrated but not listed.

③ Interchangeability Mark

When a part change takes place, one of the following interchangeability symbols is indicated beside the part.

Symbol	Interchangeability	Contents note
N	Old $\begin{matrix} \leftarrow \text{Yes} \\ \text{No} \rightarrow \end{matrix}$ New	New Part is interchangeable for Old Part but Old Part is not interchangeable for New Part.
Q	Old $\begin{matrix} \leftarrow \text{No} \\ \text{Yes} \rightarrow \end{matrix}$ New	New Part is not interchangeable for Old Part but Old Part is interchangeable for New Part.
R	Old $\begin{matrix} \leftarrow \text{Yes} \\ \text{Yes} \rightarrow \end{matrix}$ New	New/ Old Parts are both interchangeable.
S	Old $\begin{matrix} \leftarrow \text{No} \\ \text{No} \rightarrow \end{matrix}$ New	New/ Old Parts are both not interchangeable.
W		Part newly added.
Z		Part discontinued.
F		Not interchangeable by a single part but interchangeable together with related parts.
K		Changes only for used parts quantities.

④ Effective Machine No.

When a part changes, the effective Machine No. will be indicated in the (A)-(F) column.

Product Symbol	Product No.	Product Symbol	Product No.
C	Clutch No. Compressor No.	F	Machine No. (Agricultural Equip.)
D	Drive No.	M	Machine No.
E	Engine No.		

Note 1) A date may follow the symbol. (Ex.) 1996.01

Note 2) "XXXXX" and "ZZZZZ" are for parts that could not be predicted or for engine models that could not be identified.

Note 3) (A=E00185) is the E (Engine Serial Number) for the column (A) model (in this case 4JH-DT) after the parts design change.

⑤ Remarks Mark

Figures or alphabets (symbols) are entered in the remarks column.

The comments (remarks) on parts that are indicated at the bottom of the illustration are the same symbols as those stated above.

Contents

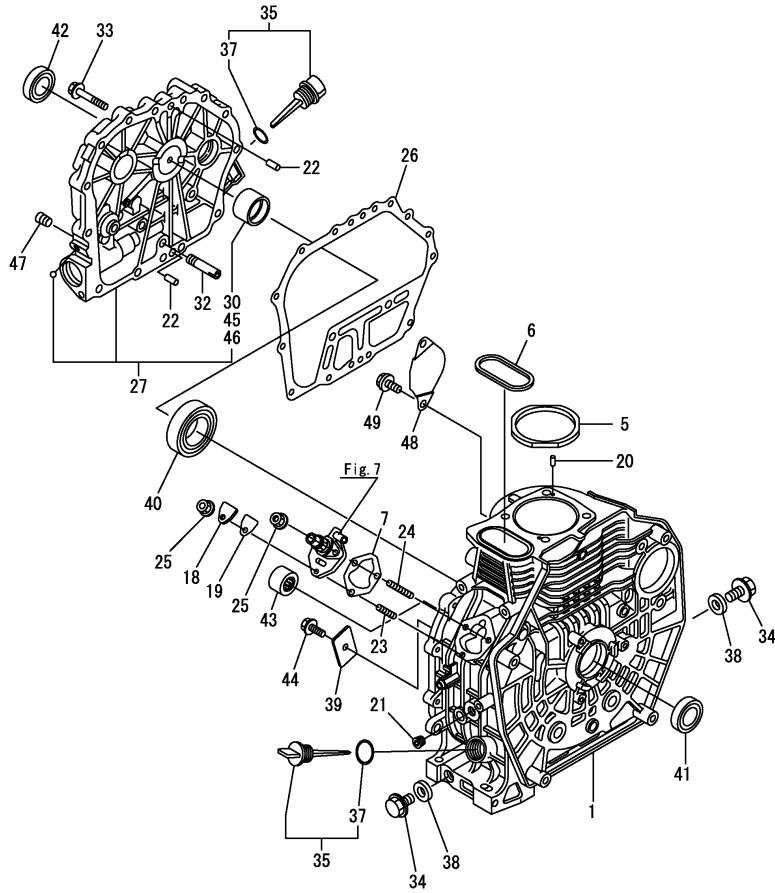
Fig. No. Fig. Name

L70N5EF1C1EAAR

1. CYLINDER BLOCK
2. CYLINDER HEAD & BONNET
3. AIR CLEANER & MUFFLER
4. CRANKSHAFT, PISTON & CAMSHAFT
5. LUB.OIL PUMP & GOVERNOR
6. COOLING & STARTING DEVICE
7. F.I.PUMP & F.I.VALVE
8. FUEL TANK & FUEL PIPE
9. TOOL, LABEL & GASKET SET

Fig. No. Fig. Name

Fig.1. CYLINDER BLOCK



(A)=L70N5EF1C1EAAR

(B)=

(C)=

(D)=

(E)=

(F)=

No.	Lev.	Parts No.	Description	Q'ty						I	R
				(A)	(B)	(C)	(D)	(E)	(F)		
1	1	114210-01020	BLOCK ASSY, CYLINDER	1							
5	1	114395-01341	GASKET, HEAD 0.5	1							
6	1	114399-01380	O-RING	1							
7	1	114299-01800	SHIM SET	1							
18	1	114299-01830	COVER	1							
19	1	114250-01841	GASKET	1							
20	1	22312-040080	PIN, PARALLEL M4X 8	2							
21	1	23875-020000	PLUG, R02	1							
22	1	114299-01600	PIN, 8X12	2							
23	1	26226-060182	STUD, M6X 18	1							
24	1	26226-060222	STUD, M6X 22	2							
25	1	26366-060002	NUT, M6	3							
26	1	114399-01410	GASKET, CRANK CASE	1							
27	1	114210-01450	COVER(E-D,CRANK CASE	1							
30	2	114350-02100	BEARING, MAIN	1							1
32	1	114299-35150	PIPE, OIL INLET	1							
33	1	26106-080352	BOLT, M8X 35 PLATED	15							
34	1	114299-01690	PLUG M16	2							
35	1	114699-01760	CAP ASSY	2							
37	2	114299-01950	O-RING, 18	2							
38	1	22190-160002	WASHER, SEAL 16	2							
39	1	114299-02030	RETAINER, BEARING	1							
40	1	114350-02113	BEARING, B35-135G3C3	1							
41	1	160110-02220	SEAL, OIL	1							
42	1	160110-02220	SEAL, OIL	1							
43	1	24162-152116	BEARING, 152116	1							
44	1	26106-080122	BOLT, M8X 12 PLATED	1							
45	1	114350-02200	BEARING, 0.25 US	1							2
46	1	114350-02210	BEARING, 0.50 US	1							3
47	1	23876-010000	PLUG, R01	1							
48	1	114399-01700	COVER, STARTER	1							
49	1	26106-100122	BOLT, M10X 12 PLATED	2							

Remarks

- (1) Spare parts.
- (2) Under sized(U.S.=0.25)parts.
- (3) Under sized(U.S.=0.50)parts.

Fig.2. CYLINDER HEAD & BONNET

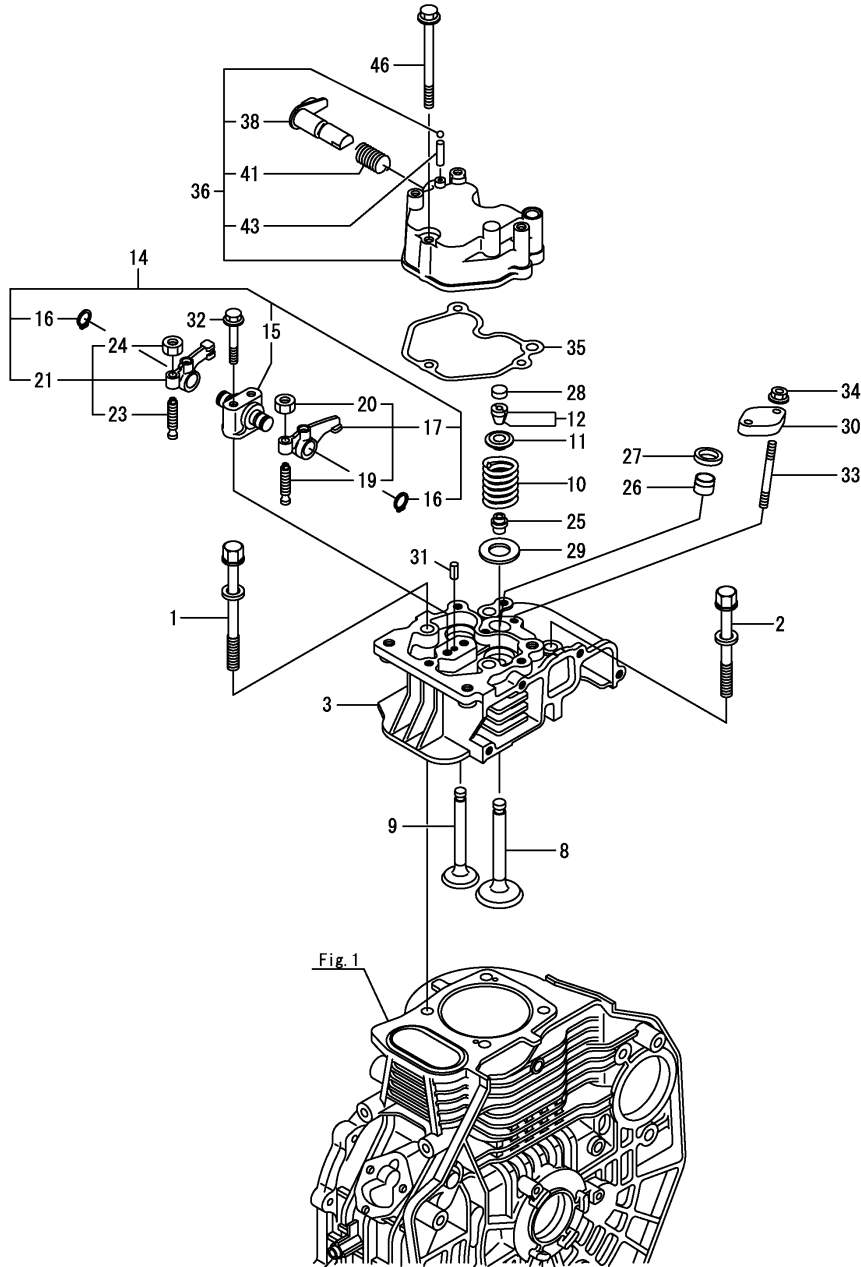
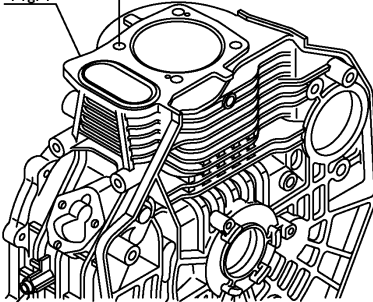


Fig.1



(A)=L70N5EF1C1EAAR

(B)=

(C)=

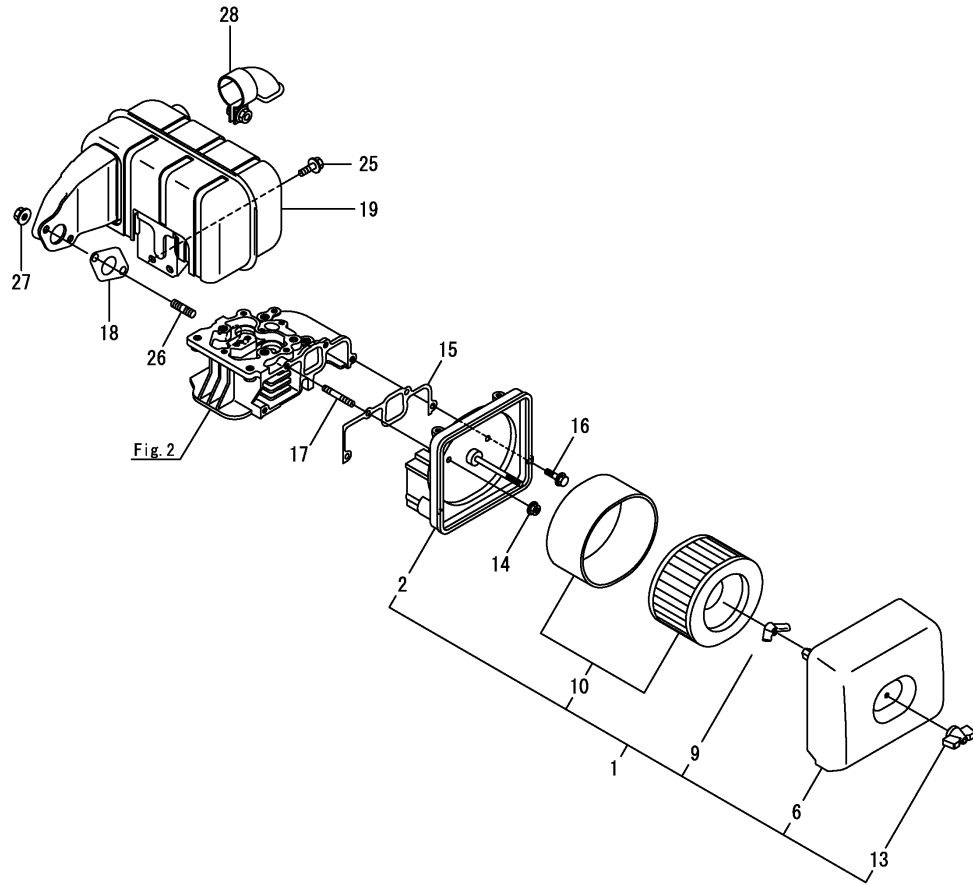
(D)=

(E)=

(F)=

No.	Lev.	Parts No.	Description	Q'ty						I	R
				(A)	(B)	(C)	(D)	(E)	(F)		
1	1	114210-01200	BOLT, CYL.HEAD A	2							
2	1	114210-01210	BOLT, CYL.HEAD B	2							
3	1	11422C-11020	HEAD ASSY, CYLINDER	1							
8	1	11421C-11100	VALVE, INTAKE	1							
9	1	11421C-11110	VALVE, EXHAUST	1							
10	1	114210-11120	SPRING, VALVE	2							
11	1	114210-11180	RETAINER, SPRING	2							
12	1	114210-11930	COTTER ASSY	2							
14	1	11421C-11250	SUPPORT ASSY, ARM	1							
15	2	11421C-11260	SUPPORT, ROCKER ARM	1							
16	2	22242-000120	RING, 12	2							
17	2	11421C-11650	ARM ASSY, ROCKER	1							
19	3	114250-11240	SCREW, VALVE ADJUST	1							
20	3	26856-060002	NUT, M6	1							
21	2	11421C-11660	ARM ASSY, ROCKER	1							
23	3	114250-11240	SCREW, VALVE ADJUST	1							
24	3	26856-060002	NUT, M6	1							
25	1	114350-11341	SEAL, VALVE STEM	2							
26	1	114240-11450	PROTECTOR, NOZZLE	1							
27	1	114240-11550	SEAT, NOZZLE	1							
28	1	105010-11490	CAP, VALVE	2							
29	1	114299-11600	WASHER, VALVE SPRING	2							
30	1	114210-11901	RETAINER, NOZZLE	1							
31	1	22351-040008	PIN, SPRING 4.0X 8	1							
32	1	26106-060402	BOLT, M6X 40 PLATED	2							
33	1	26226-060552	STUD, M6X 55	2							
34	1	26366-060002	NUT, M6	2							
35	1	114210-11310	GASKET, BONNET	1							
36	1	114210-11950	BONNET ASSY, HEAD	1							
38	2	114210-03590	DECOMPRESSION ASSY	1							
41	2	114299-03640	SPRING,DECOMPRESSION	1							
43	2	22312-030160	PIN, PARALLEL M3X16	1							
46	1	26106-060552	BOLT, M6X 55 PLATED	3							

Fig.3. AIR CLEANER & MUFFLER



(A)=L70N5EF1C1EAAR

(B)=

(C)=

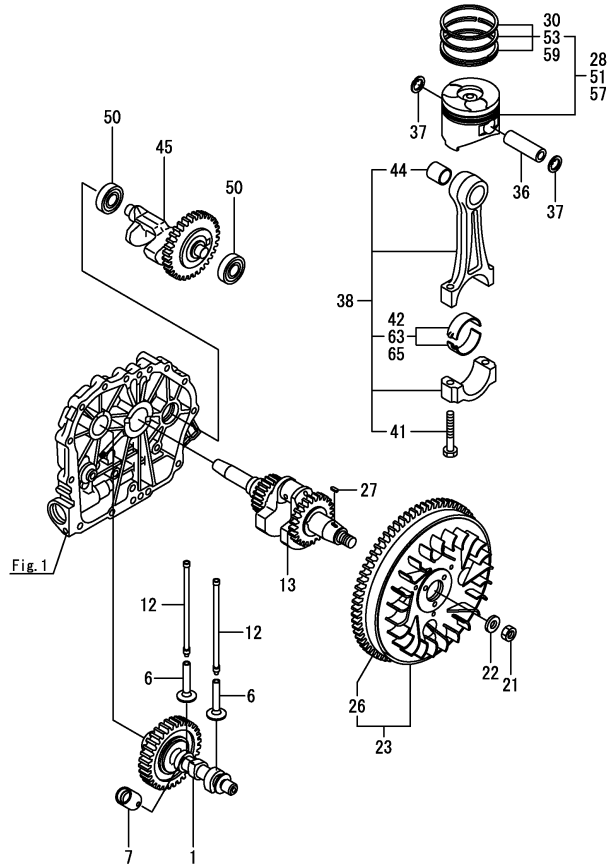
(D)=

(E)=

(F)=

No.	Lev.	Parts No.	Description	Q'ty						I	R
				(A)	(B)	(C)	(D)	(E)	(F)		
1	1	114220-12550	CLEANER ASSY, AIR	1							
2	2	114210-12010	BODY ASSY, AIR CLNR	1							
6	2	114220-12500	COVER ASSY, AIR CLNR	1							
9	2	114210-12560	NUT, WING	1							
10	2	114210-12590	ELEMENT ASSY	1							
13	2	114210-12600	LOCKING KNOB	1							
14	1	114299-12300	NUT	3							
15	1	114210-12210	GASKET, AIR CLEANER	1							
16	1	26106-060202	BOLT, M6X 20 PLATED	1							
17	1	26226-060302	STUD, M6X 30	3							
18	1	114299-13200	GASKET, MUFFLER	1							
19	1	11421C-13500	MUFFLER ASSY	1							
25	1	26106-060142	BOLT, M6X 14 PLATED	2							
26	1	26216-080182	STUD, M8X 18	2							
27	1	26366-080002	NUT, M8	2							
28	1	114299-13800	EXTENSION ASSY	1							

Fig.4. CRANKSHAFT, PISTON & CAMSHAFT



(A)=L70N5EF1C1EAAR

(B)=

(C)=

(D)=

(E)=

(F)=

No.	Lev.	Parts No.	Description	Q'ty						I	R
				(A)	(B)	(C)	(D)	(E)	(F)		
1	1	71422C-14580	CAMSHAFT ASSY	1							
6	1	114210-14200	TAPPET	2							
7	1	114210-14300	TAPPET ASSY, ROLLER	1							
12	1	114210-14400	ROD ASSY, PUSH	2							
13	1	71421C-21040	CRANKSHAFT ASSY	1							
21	1	114299-21220	NUT	1							
22	1	114299-21550	WASHER	1							
23	1	114399-21590	FLYWHEEL ASSY	1							
26	2	114399-21600	GEAR, RING	1							
27	1	22512-040120	KEY, 4X 12	1							
28	1	714220-22720	PISTON W/RINGS (D)	1							
30	2	714870-22502	RING SET, PISTON	1							
36	1	114399-22300	PIN, PISTON D=21	1							
37	1	22252-000210	RING, 21	2							
38	1	71421C-23010	ROD ASSY, CONNECTING	1							
41	2	118200-23200	BOLT, CONNECTING ROD	2							
42	2	114210-23600	BEARING, CRANK PIN	1							
44	2	114380-23100	BEARING, PISTON PIN	1							
45	1	714210-28510	SHAFT ASSY, BALANCER	1							
50	1	114210-28050	BEARING, 6203 C0L	2							
51	1	714220-22620	PISTON W/RING .25OS	1							1
53	2	714870-22542	RING SET, 0.25 OS	1							1
57	1	714220-22580	PISTON W/RING .50OS	1							2
59	2	714870-22552	RING SET, 0.50 OS	1							2
63	1	114210-23610	BEARING,PIN(U.S.=0.25	1							3
65	1	114210-23620	BEARING,PIN(U.S.=0.50	1							4

Remarks

- (1)Over sized(U.S.=0.25)parts.
- (2)Over sized(U.S.=0.50)parts.
- (3)Under sized(U.S.=0.25)parts.
- (4)Under sized(U.S.=0.50)parts.

Fig.5. LUB.OIL PUMP & GOVERNOR

(A)=L70N5EF1C1EAAR

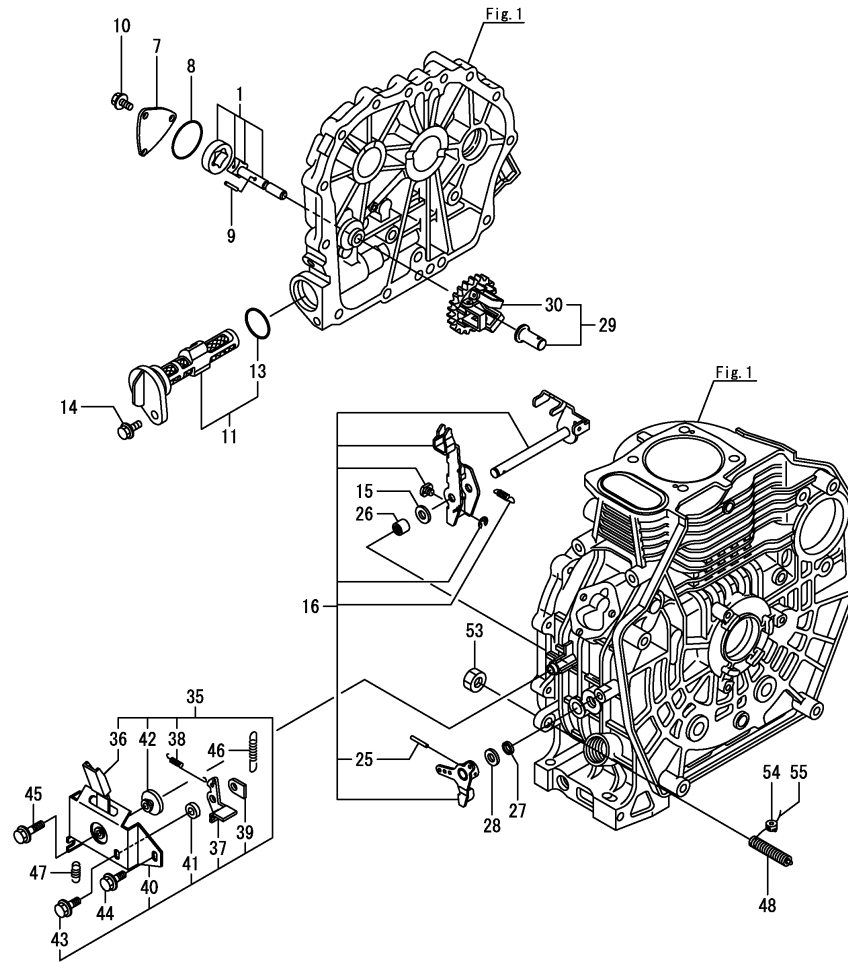
(B)=

(C)=

(D)=

(E)=

(F)=

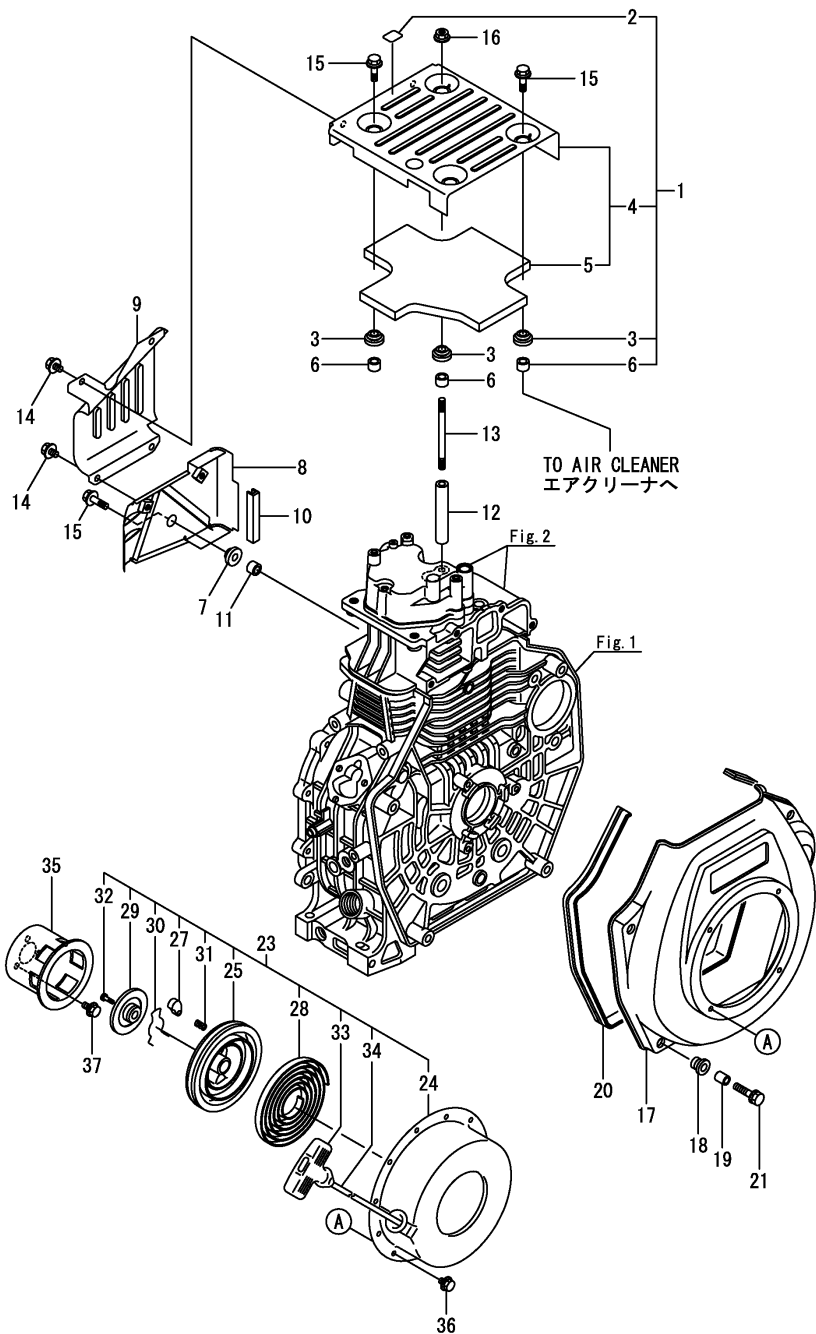


No.	Lev.	Parts No.	Description	Q'ty						I	R
				(A)	(B)	(C)	(D)	(E)	(F)		
1	1	114250-32010	PUMP ASSY, OIL	1							
7	1	114299-32070	COVER	1							
8	1	114299-32570	O-RING	1							
9	1	22312-030160	PIN, PARALLEL M3X16	1							
10	1	26106-060122	BOLT, M6X 12 PLATED	3							
11	1	114299-35110	FILTER ASSY, OIL	1							
13	2	24341-000224	O-RING, 1AS22.4	1							
14	1	26106-060162	BOLT, M6X 16 PLATED	1							
15	1	114299-61190	WASHER	1							
16	1	114211-61500	LEVER ASSY, GOVERNOR	1							1
25	2	22322-030200	PIN, TAPER 3X20	1							
26	1	114770-61520	BEARING, NEEDLE	2							
27	1	114299-61600	SEAL, OIL	1							
28	1	114770-61610	WASHER, THRUST	1							
29	1	714210-61701	GOVERNOR ASSY	1							
30	2	114210-61290	WEIGHT ASSY,GOVERNOR	1							
35	1	114210-66511	BRACKET CMP,REGULATO	1							
36	2	114210-66300	HANDLE	1							
37	2	183250-66321	LEVER, LOCK	1							
38	2	114210-66330	SPRING,LOCK LEVER	1							
39	2	183250-66341	NUT, LOCK	1							
40	2	114210-66350	BRACKET	1							
41	2	183250-66361	COLLAR	1							
42	2	183250-66371	COLLAR	1							
43	2	26106-060162	BOLT, M6X 16 PLATED	1							
44	1	26106-060142	BOLT, M6X 14 PLATED	1							
45	1	26106-060202	BOLT, M6X 20 PLATED	1							
46	1	114220-66020	SPRING, REGULATOR	1							
47	1	114299-66200	SPRING, RETURN	1							
48	1	114211-66600	LIMITER ASSY, FUEL	1							
53	1	26776-100002	NUT, LOCK M10	1							
54	1	114780-61090	TIN	1							
55	1	22451-060000	WIRE, 0.6	1							

Remarks

(1)On a guarantee of quality component parts shall not be sold.

Fig.6. COOLING & STARTING DEVICE



(A)=L70N5EF1C1EAAR

(B)=

(C)=

(D)=

(E)=

(F)=

No.	Lev.	Parts No.	Description	Q'ty						I	R
				(A)	(B)	(C)	(D)	(E)	(F)		
1	1	11422C-45200	TOP COVER ASSY	1							
2	2	114220-07120	LABEL, DECOMPRESSION	1							
3	2	183720-55210	GROMMET	4							
4	2	11421C-45300	COVER	1							
5	3	11421C-45310	INSULATOR, NOISE	1							
6	2	114350-45340	COLLAR	4							
7	1	114299-45220	GROMMET	1							
8	1	11421C-45260	COVER	1							
9	1	11421C-45270	COVER	1							
10	1	114399-45320	RUBBER, SEAL	1							
11	1	114399-45340	COLLAR	1							
12	1	114210-45350	SPACER, TOP COVER	1							
13	1	114210-45360	STUD BOLT, TOP COVER	1							
14	1	26106-060082	BOLT, M6X 8 PLATED	4							
15	1	26106-060202	BOLT, M6X 20 PLATED	4							
16	1	26366-060002	NUT, M6	1							
17	1	11421C-45100	CASE, COOLING FAN	1							
18	1	114299-45301	RUBBER, CUSHION	4							
19	1	114299-45310	COLLAR	4							
20	1	114299-45331	SEAL, FAN CASE	1							
21	1	114299-45350	BOLT, FAN CASE	4							
23	1	114399-76251	RECOIL STARTER(D)ASY	1							
24	2	114399-76510	CASE, STARTER	1							
25	2	114399-76521	REEL, RECOIL	1							
27	2	114399-76531	RATCHET	1							
28	2	114399-76540	SPRING, SPIRAL	1							
29	2	114399-76550	COVER	1							
30	2	114399-76560	SPRING	1							
31	2	114399-76570	SPRING, RETURN	1							
32	2	114399-76580	SCREW	1							
33	2	114399-76620	KNOB, STARTER	1							
34	2	114399-76630	ROPE, STARTER	1							
35	1	114399-76590	PULLEY, STARTER	1							
36	1	26106-060082	BOLT, M6X 8 PLATED	4							
37	1	26106-060122	BOLT, M6X 12 PLATED	3							

Fig.7. F.I.PUMP & F.I.VALVE

(A)=L70N5EF1C1EAAR

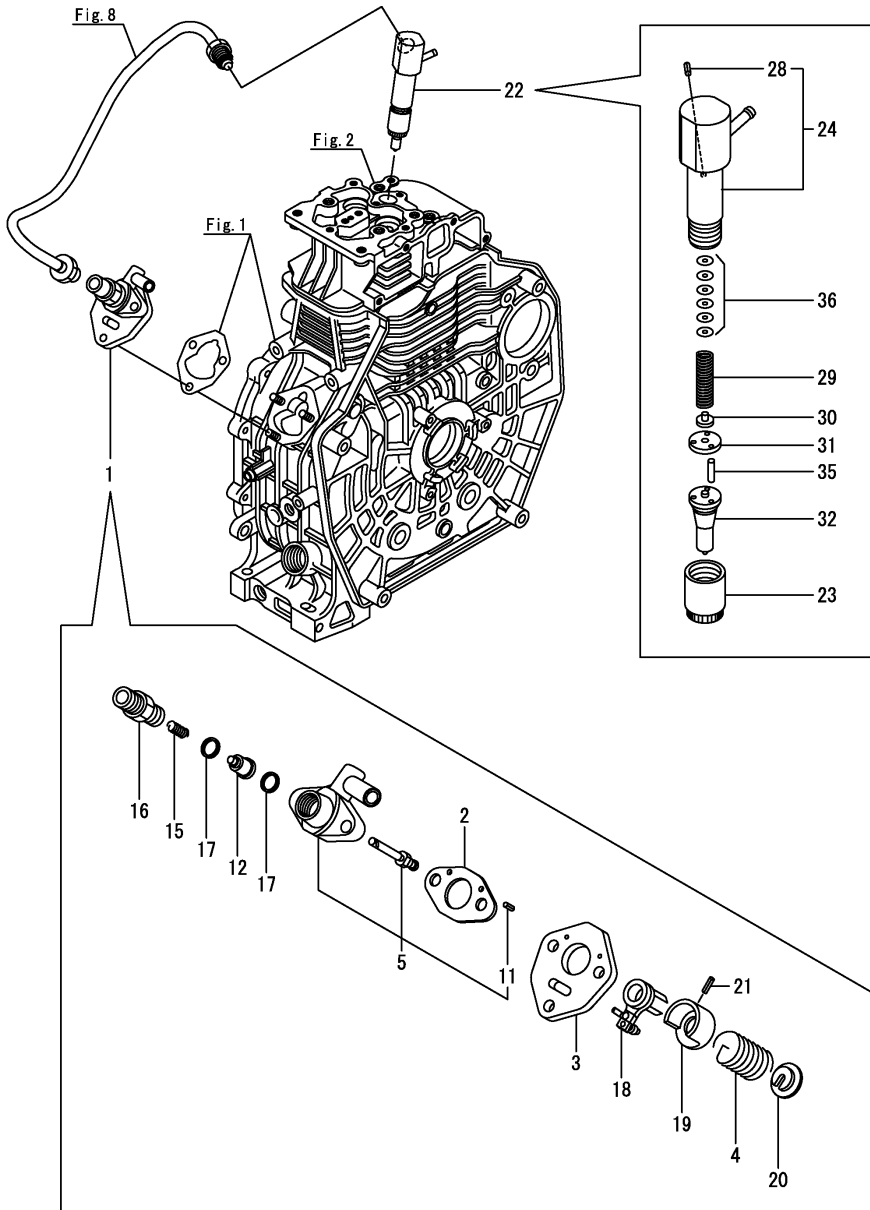
(B)=

(C)=

(D)=

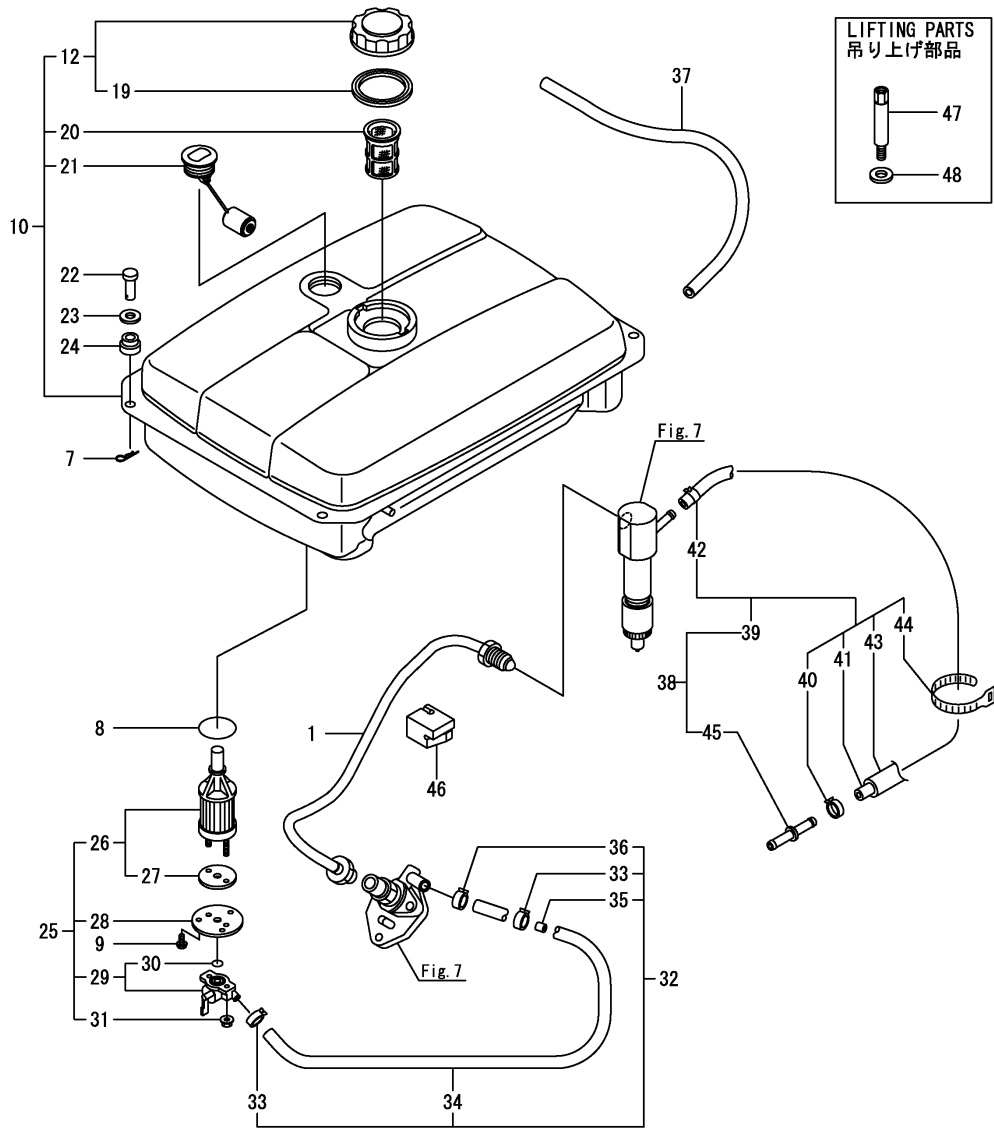
(E)=

(F)=



No.	Lev.	Parts No.	Description	Q'ty						I	R
				(A)	(B)	(C)	(D)	(E)	(F)		
1	1	714239-51210	F.I.PUMP ASSY	1							
2	2	105546-51020	GASKET	1							
3	2	114250-51080	PLATE	1							
4	2	114250-51160	SPRING, PLUNGER	1							
5	2	114239-51100	BODY ASSY, PUMP	1							
11	4	22351-020006	PIN, SPRING 2.0X 6	2							
12	2	114650-51300	VALVE ASSY, DELIVERY	1							
15	2	105546-51330	SPRING, DELIVERY	1							
16	2	114250-51340	HOLDER, DELIVERY	1							
17	2	124550-51350	GASKET, DELIVERY	2							
18	2	114250-51600	LEVER ASSY, CONTROL	1							
19	2	114250-51640	SEAT, SPRING A	1							
20	2	114250-51650	SEAT, SPRING B	1							
21	2	22351-030008	PIN, SPRING 3.0X 8	1							
22	1	714239-53200	VALVE ASSY,INJECTION	1							
23	2	114250-53080	NUT, NOZZLE D16.95	1							
24	2	114339-53100	HOLDER ASSY, NOZZLE	1							
28	3	22351-025005	PIN, SPRING 2.5X 6	1							
29	2	114250-53120	SPRING, NOZZLE	1							
30	2	114250-53130	SEAT, SPRING	1							
31	2	114250-53140	PLATE	1							
32	2	114239-53200	NOZZLE ASSY	1							
35	2	114250-53210	PIN	2							
36	2	114250-53400	SHIM SET	1							

Fig.8. FUEL TANK & FUEL PIPE



(A)=L70N5EF1C1EAAR

(B)=

(C)=

(D)=

(E)=

(F)=

No.	Lev.	Parts No.	Description	Q'ty						I	R
				(A)	(B)	(C)	(D)	(E)	(F)		
1	1	114210-59800	PIPE ASSY, INJECTION	1							
7	1	22360-060000	PIN, SNAP 6	4							
8	1	24311-000400	O-RING, 1AP40.0								
9	1	26022-050102	SCREW, M5X10	3							
10	1	783384-55700-3	TANK,FUEL(BLACK)(13)	1							
12	2	160710-55061	CAP ASSY	1							
19	3	160393-55050	GASKET	1							
20	2	160710-55100	FILTER, FUEL	1							
21	2	183621-55150	GAUGE	1							
22	1	183350-55120	PIN, 6X14	4							
23	1	183350-55130	WASHER	4							
24	1	114299-45220	GROMMET	4							
25	1	183250-55301	COCK ASSY, FUEL	1							
26	2	114250-55121	FILTER ASSY, FUEL	1							
27	3	114250-55130	GASKET	1							
28	2	183250-55170	PLATE	1							
29	2	183250-55320	COCK ASSY, FUEL	1							
30	3	24341-000150	O-RING, 1AS15.0	1							
31	2	26366-060002	NUT, M6	2							
32	1	114353-59012	PIPE ASSY, FUEL OIL	1							
33	2	124000-03300	CLIP, HOSE 13	2							
34	2	114353-59372	PIPE, FUEL OIL	1							
35	2	114249-59410	PIECE	1							
36	2	23080-014000	CLAMP, 14	1							
37	1	183984-59060	PIPE, FUEL RETURN	1							
38	1	114239-59350	PIPE ASSY, RETURN	1							
39	2	114239-59300	PIPE ASSY, RETURN	1							
40	3	124722-59050	CLIP, HOSE 9	1							
41	3	114650-59060	PIPE, FUEL RETURN	1							
42	3	124066-59100	CLIP, HOSE 8	1							
43	3	114652-59310	TUBE, PROTECT	1							
44	3	121750-59890	BAND, 140	1							
45	2	114210-59710	JOINT,FUEL OIL	1							
46	1	114210-59850	SUPPORT, INJ. PIPE	1							
47	1	114220-55810	BOLT, LIFTING	1							
48	1	22117-080000	WASHER, 8	1							

Fig.9. TOOL, LABEL & GASKET SET

(A)=L70N5EF1C1EAAR

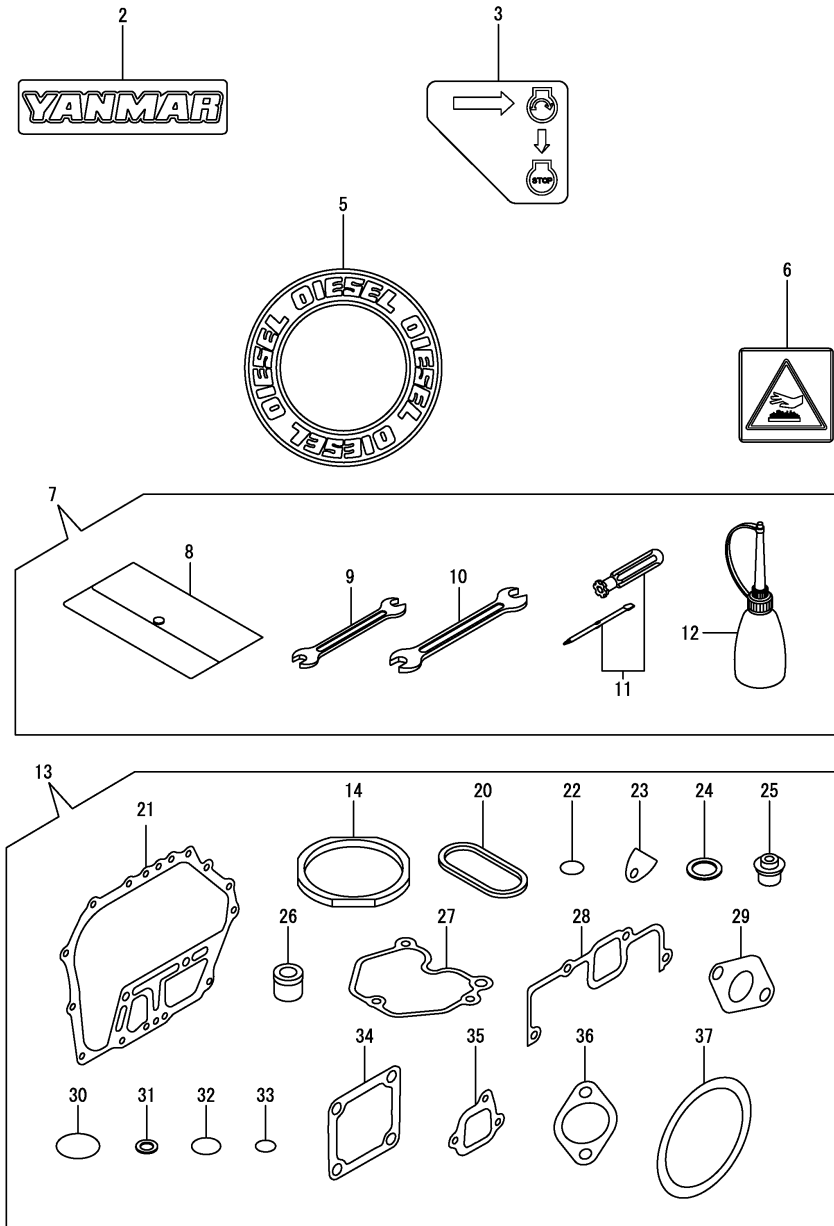
(B)=

(C)=

(D)=

(E)=

(F)=



No.	Lev.	Parts No.	Description	Qty						I	R
				(A)	(B)	(C)	(D)	(E)	(F)		
2	1	114299-07110	LABEL, YANMAR	1							
3	1	114220-07150	LABEL, CONSTANT SPEE	1							
5	1	114299-07160	LABEL, DIESEL	1							
6	1	114220-07130	LABEL, HOT SURFACE	1							
7	1	114299-92590	BOX, TOOL	1							
8	2	114299-92600	BAG, TOOL	1							
9	2	114299-92710	WRENCH	1							
10	2	114299-92720	WRENCH	1							
11	2	114299-92730	DRIVER	1							
12	2	114299-92740	DIPSTICK	1							
13	1	114220-92600	GASKET SET	1							1
14	2	114395-01330	GASKET, HEAD	1							
20	2	114399-01380	O-RING	1							
21	2	114399-01410	GASKET, CRANK CASE	1							
22	2	114299-01950	O-RING, 18	2							
23	2	114250-01841	GASKET	1							
24	2	22190-160002	WASHER, SEAL 16	2							
25	2	114350-11340	SEAL, VALVE STEM	2							
26	2	114771-11461	GASKET, NOZZLE	1							
27	2	114210-11310	GASKET, BONNET	1							
28	2	114210-12210	GASKET, AIR CLEANER	1							
29	2	114299-13200	GASKET, MUFFLER	1							
30	2	114299-32570	O-RING	1							
31	2	23414-080000	GASKET, 8X1.0	1							
32	2	24341-000224	O-RING, 1AS22.4	1							
33	2	24341-000150	O-RING, 1AS15.0	1							
34	2	129100-77510	GASKET, AIR HEATER	3							
35	2	114299-12210	GASKET, AIR CLEANER	2							
36	2	114299-12920	GASKET, AIR CLEANER	1							
37	2	114399-21980	GASKET	1							

Remarks

(1)Optional parts.

Parts No. Index

Parts No.	Fig. No.	Ref. No.
105010-11490	2	28
105546-51020	7	2
105546-51330	7	15
114210-01020	1	1
114210-01200	2	1
114210-01210	2	2
114210-01450	1	27
114210-03590	2	38
114210-11120	2	10
114210-11180	2	11
114210-11310	2	35
	9	27
114210-11901	2	30
114210-11930	2	12
114210-11950	2	36
114210-12010	3	2
114210-12210	3	15
	9	28
114210-12560	3	9
114210-12590	3	10
114210-12600	3	13
114210-14200	4	6
114210-14300	4	7
114210-14400	4	12
114210-23600	4	42
114210-23610	4	63
114210-23620	4	65
114210-28050	4	50
114210-45350	6	12
114210-45360	6	13
114210-59710	8	45
114210-59800	8	1
114210-59850	8	46
114210-61290	5	30
114210-66300	5	36
114210-66330	5	38
114210-66350	5	40
114210-66511	5	35
114211-61500	5	16
114211-66600	5	48
11421C-11100	2	8
11421C-11110	2	9
11421C-11250	2	14
11421C-11260	2	15
11421C-11650	2	17
11421C-11660	2	21
11421C-13500	3	19
11421C-45100	6	17
11421C-45260	6	8
11421C-45270	6	9

Parts No.	Fig. No.	Ref. No.
11421C-45300	6	4
11421C-45310	6	5
114220-07120	6	2
114220-07130	9	6
114220-07150	9	3
114220-12500	3	6
114220-12550	3	1
114220-55810	8	47
114220-66020	5	46
114220-92600	9	13
11422C-11020	2	3
11422C-45200	6	1
114239-51100	7	5
114239-53200	7	32
114239-59300	8	39
114239-59350	8	38
114240-11450	2	26
114240-11550	2	27
114249-59410	8	35
114250-01841	1	19
	9	23
114250-11240	2	19
		23
114250-32010	5	1
114250-51080	7	3
114250-51160	7	4
114250-51340	7	16
114250-51600	7	18
114250-51640	7	19
114250-51650	7	20
114250-53080	7	23
114250-53120	7	29
114250-53130	7	30
114250-53140	7	31
114250-53210	7	35
114250-53400	7	36
114250-55121	8	26
114250-55130	8	27
114299-01600	1	22
114299-01690	1	34
114299-01800	1	7
114299-01830	1	18
114299-01950	1	37
	9	22
114299-02030	1	39
114299-03640	2	41
114299-07110	9	2
114299-07160	9	5
114299-11600	2	29
114299-12210	9	35

Parts No.	Fig. No.	Ref. No.
114299-12300	3	14
114299-12920	9	36
114299-13200	3	18
	9	29
114299-13800	3	28
114299-21220	4	21
114299-21550	4	22
114299-32070	5	7
114299-32570	5	8
	9	30
114299-35110	5	11
114299-35150	1	32
114299-45220	6	7
	8	24
114299-45301	6	18
114299-45310	6	19
114299-45331	6	20
114299-45350	6	21
114299-61190	5	15
114299-61600	5	27
114299-66200	5	47
114299-92590	9	7
114299-92600	9	8
114299-92710	9	9
114299-92720	9	10
114299-92730	9	11
114299-92740	9	12
114339-53100	7	24
114350-02100	1	30
114350-02113	1	40
114350-02200	1	45
114350-02210	1	46
114350-11340	9	25
114350-11341	2	25
114350-45340	6	6
114353-59012	8	32
114353-59372	8	34
114380-23100	4	44
114395-01330	9	14
114395-01341	1	5
114399-01380	1	6
	9	20
114399-01410	1	26
	9	21
114399-01700	1	48
114399-21590	4	23
114399-21600	4	26
114399-21980	9	37
114399-22300	4	36
114399-45320	6	10

Parts No.	Fig. No.	Ref. No.
114399-45340	6	11
114399-76251	6	23
114399-76510	6	24
114399-76521	6	25
114399-76531	6	27
114399-76540	6	28
114399-76550	6	29
114399-76560	6	30
114399-76570	6	31
114399-76580	6	32
114399-76590	6	35
114399-76620	6	33
114399-76630	6	34
114650-51300	7	12
114650-59060	8	41
114652-59310	8	43
114699-01760	1	35
114770-61520	5	26
114770-61610	5	28
114771-11461	9	26
114780-61090	5	54
118200-23200	4	41
121750-59890	8	44
124000-03300	8	33
124066-59100	8	42
124550-51350	7	17
124722-59050	8	40
129100-77510	9	34
160110-02220	1	41
		42
160393-55050	8	19
160710-55061	8	12
160710-55100	8	20
183250-55170	8	28
183250-55301	8	25
183250-55320	8	29
183250-66321	5	37
183250-66341	5	39
183250-66361	5	41
183250-66371	5	42
183350-55120	8	22
183350-55130	8	23
183621-55150	8	21
183720-55210	6	3
183984-59060	8	37
22117-080000	8	48
22190-160002	1	38
	9	24
22242-000120	2	16
22252-000210	4	37

Parts No. Index

Parts No.	Fig. No.	Ref. No.
22312-030160	2	43
	5	9
22312-040080	1	20
22322-030200	5	25
22351-020006	7	11
22351-025005	7	28
22351-030008	7	21
22351-040008	2	31
22360-060000	8	7
22451-060000	5	55
22512-040120	4	27
23080-014000	8	36
23414-080000	9	31
23875-020000	1	21
23876-010000	1	47
24162-152116	1	43
24311-000400	8	8
24341-000150	8	30
	9	33
24341-000224	5	13
	9	32
26022-050102	8	9
26106-060082	6	14
		36
26106-060122	5	10
	6	37
26106-060142	3	25
	5	44
26106-060162	5	14
		43
26106-060202	3	16
	5	45
	6	15
26106-060402	2	32
26106-060552	2	46
26106-080122	1	44
26106-080352	1	33
26106-100122	1	49
26216-080182	3	26
26226-060182	1	23
26226-060222	1	24
26226-060302	3	17
26226-060552	2	33
26366-060002	1	25
	2	34
	6	16
	8	31
26366-080002	3	27
26776-100002	5	53
26856-060002	2	20

Parts No.	Fig. No.	Ref. No.
26856-060002	2	24
714210-28510	4	45
714210-61701	5	29
71421C-21040	4	13
71421C-23010	4	38
714220-22580	4	57
714220-22620	4	51
714220-22720	4	28
71422C-14580	4	1
714239-51210	7	1
714239-53200	7	22
714870-22502	4	30
714870-22542	4	53
714870-22552	4	59
783384-55700-3	8	10

Parts No.	Fig. No.	Ref. No.
-----------	----------	----------

Parts No.	Fig. No.	Ref. No.
-----------	----------	----------